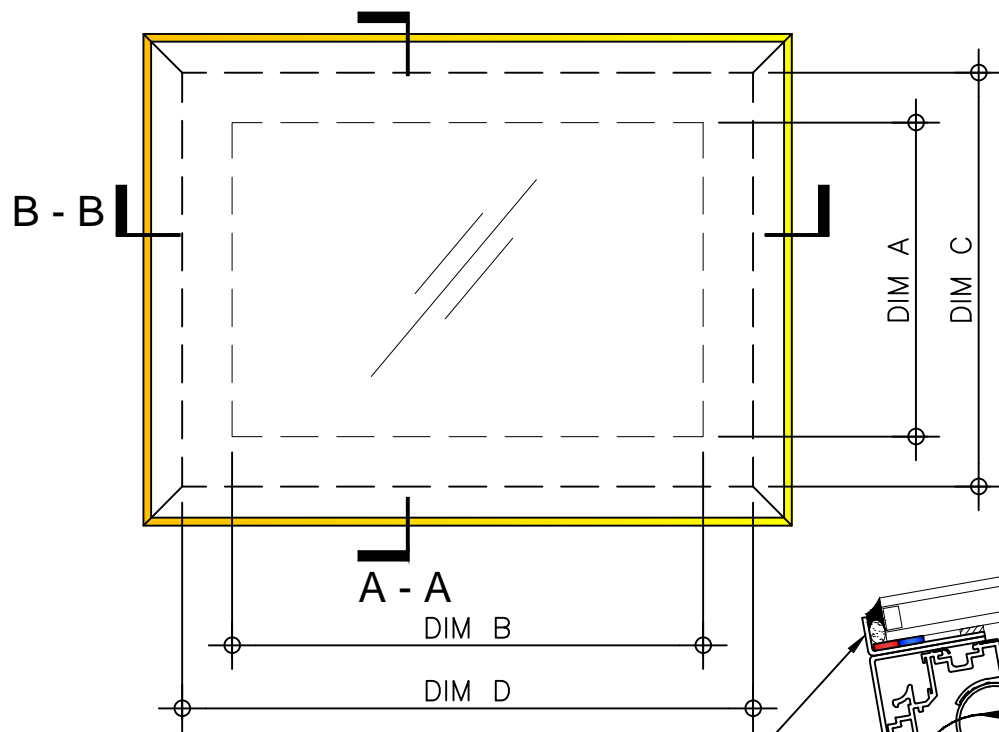


Kerb Specification:
 X2 kerb constructed from self finish white uPVC

Typical Glazing Specification:
 Outer - 6mm thick clear toughened glass
 Core - 16mm thick air filled cavity
 Inner - 6.4mm thick clear laminated low 'E' glass

PLAN ON MODULAR ROOFLIGHT



ALUMINIUM TEE SECTION USING BACK TO BACK ANGLES TO FULL PERIMETER, GLASS SILICONE SEALED INTO FRAME

FIXING POINT (FIXINGS DEPENDANT OF UPSTAND SUBSTRATE, TO BE DETERMINED BY CONTRACTOR)

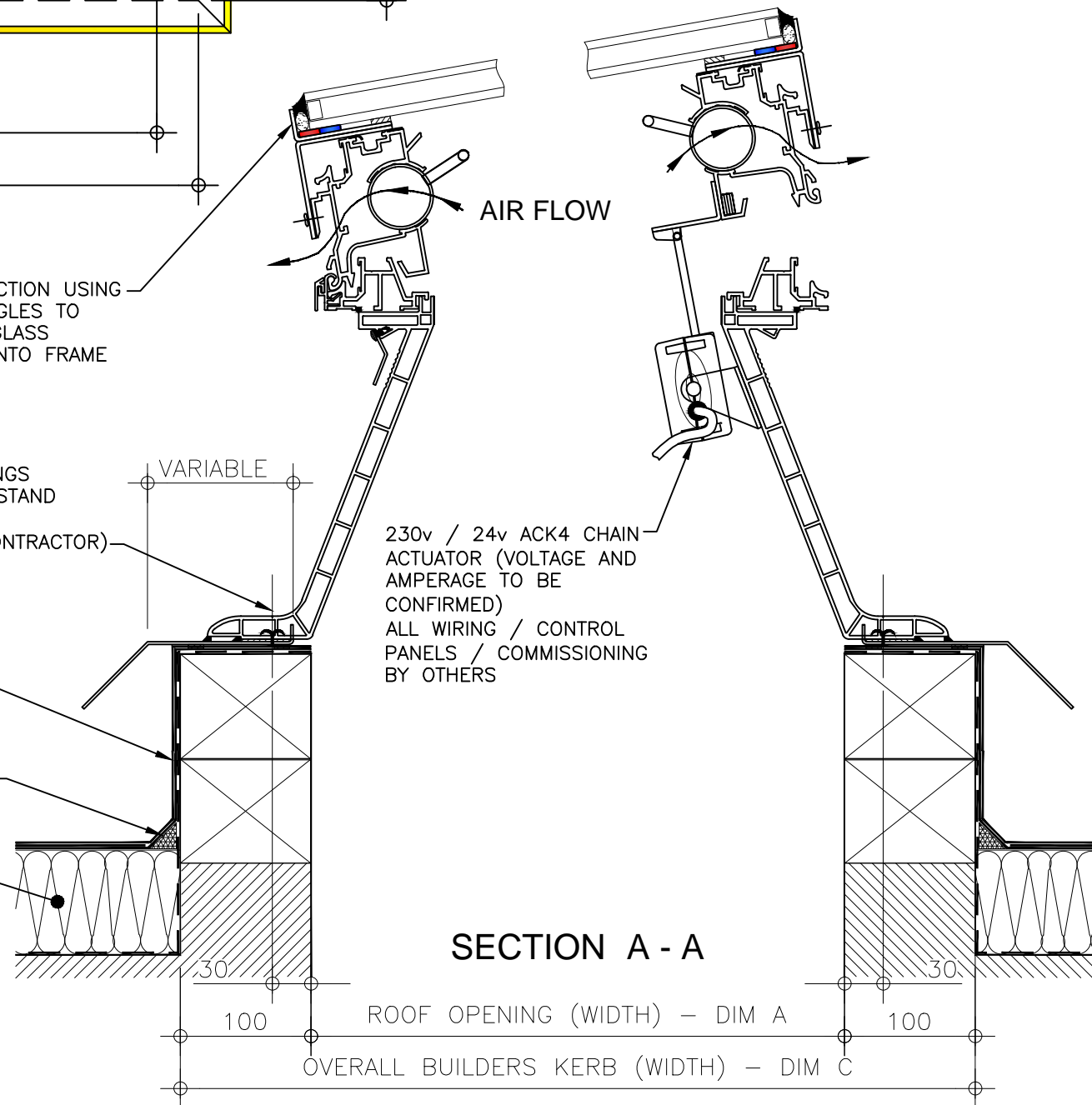
ROOF FINISHES BY OTHERS

FILLET BY OTHERS

ROOF INSULATION BY OTHERS

230v / 24v ACK4 CHAIN ACTUATOR (VOLTAGE AND AMPERAGE TO BE CONFIRMED)
 ALL WIRING / CONTROL PANELS / COMMISSIONING BY OTHERS

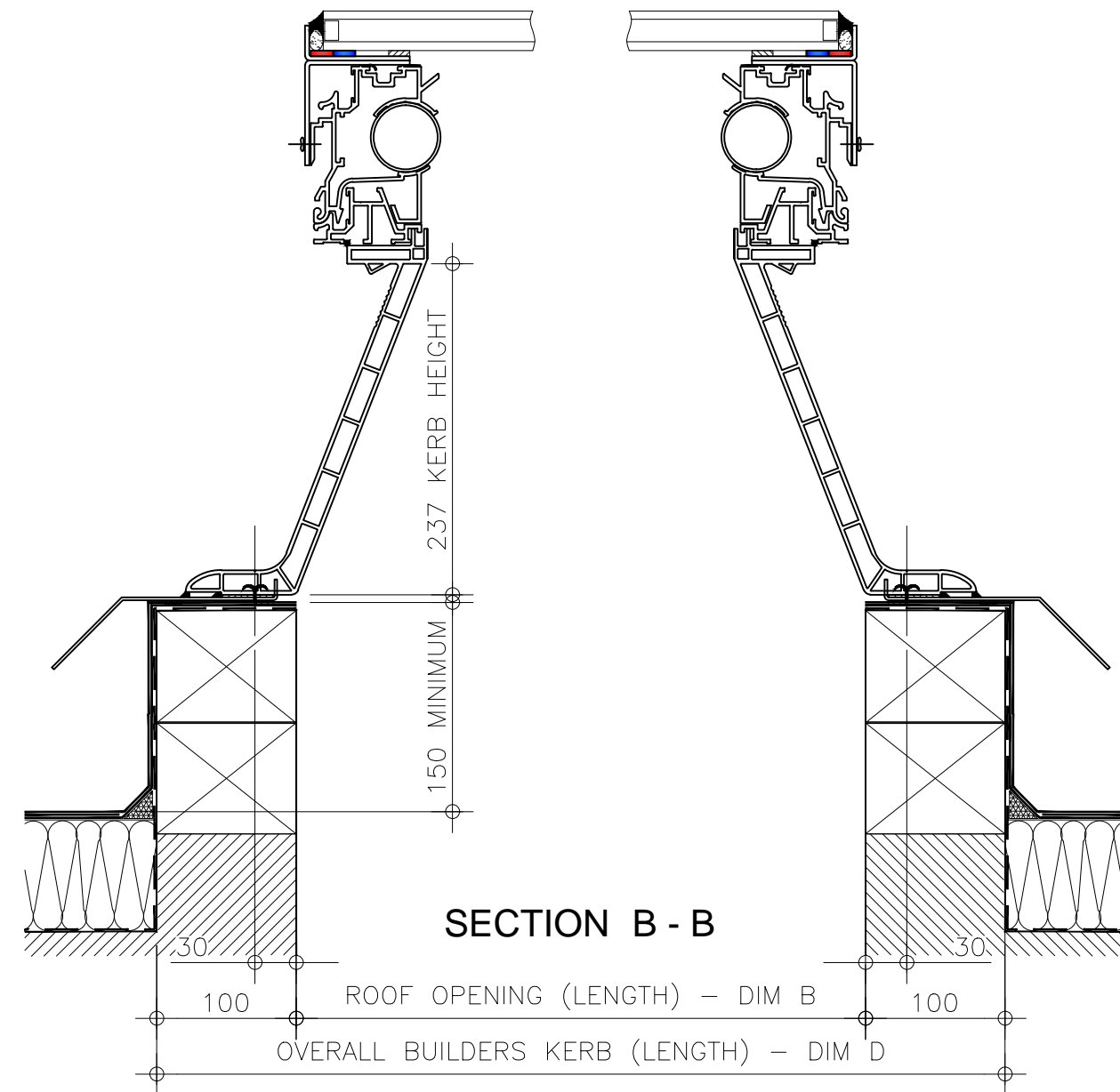
SECTION A - A



ROOF OPENING (WIDTH) - DIM A


OVERALL BUILDERS KERB (WIDTH) - DIM C

SECTION B - B



ROOF OPENING (LENGTH) - DIM B

OVERALL BUILDERS KERB (LENGTH) - DIM D

REV:	DATE:	DESCRIPTION:	DRN BY	DESCRIPTION:				
0	19.12.13	New modular drawings released	IW	uPVC upstand with adaptor base kerb complete with rotary and electrically operated vents, flat double glazed glass lid.				
DRAWN BY:		CREATION DATE:		CHECKED BY:		SCALE(S)		REVISION:
IW		19-Dec-13		----		1:5 @ A3		0
Xtralite (Rooflights) Limited Spencer Road, Blyth Industrial Estate, Blyth, Northumberland, NE24 5TG T:01670 354 157 F:01670 364 875 E:sales@xtralite.co.uk W:www.xtralite.co.uk								 DRG No. XT-X1-A-0602-IGLF