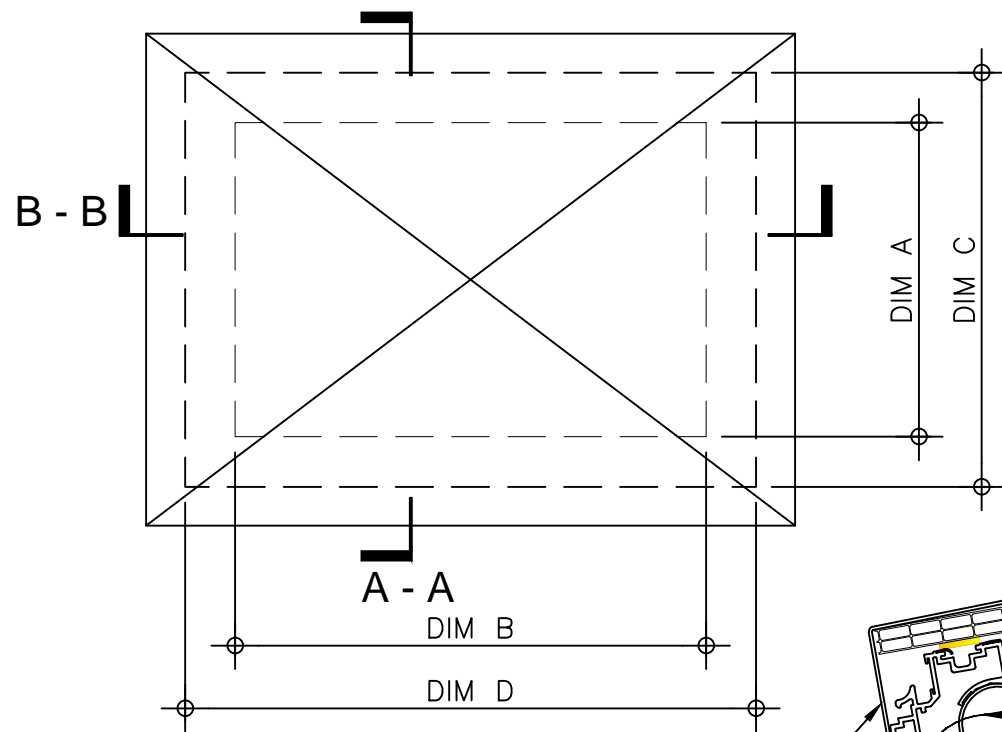
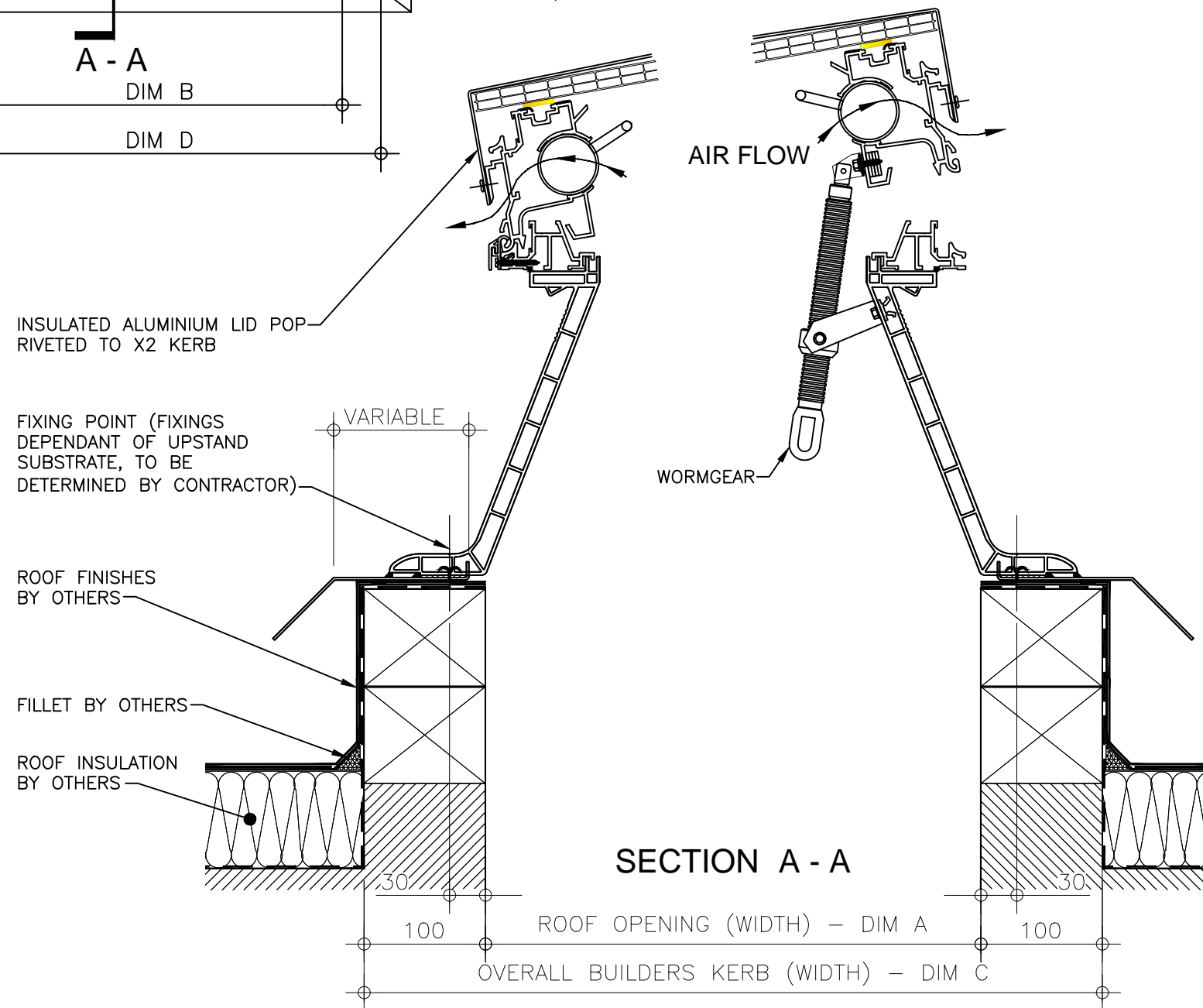


**Kerb Specification:**  
 X2 kerb constructed from self finish white uPVC

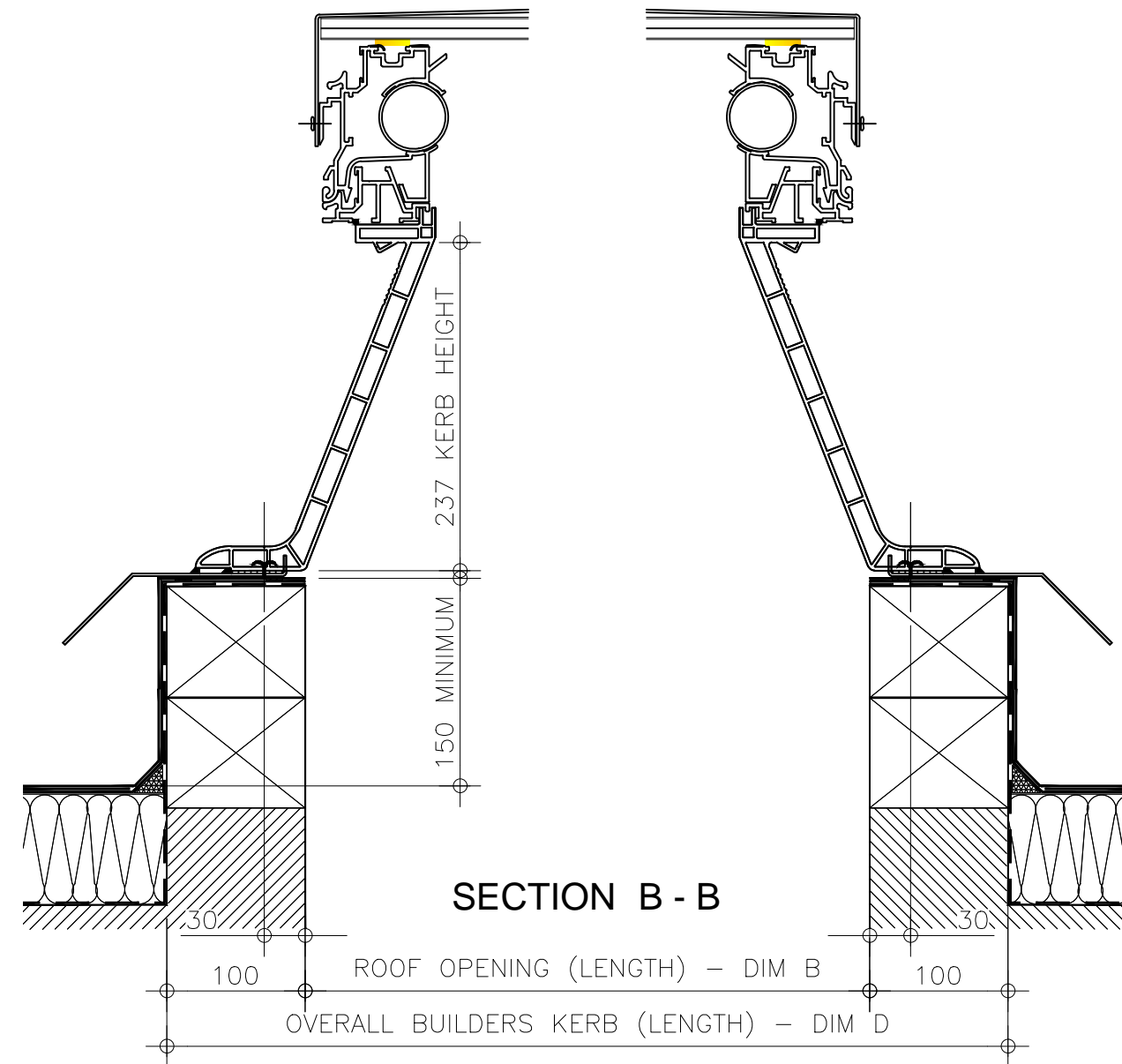
**Typical Glazing Specification:**  
 2mm thick polyester powder coated aluminium with 16mm structured polycarbonate internal liner




**PLAN ON MODULAR ROOFLIGHT**



**SECTION A - A**



**SECTION B - B**

REV:	DATE:	DESCRIPTION:	DRN BY	DESCRIPTION:				
0	19.12.13	New modular drawings released	IW	uPVC upstand fixed direct to roof complete with rotary ventilation and wormgear operated insulated solid lid (aluminium).				
		DRAWN BY:	CREATION DATE:	CHECKED BY:	SCALE(S)	REVISION:		
		IW	19-Dec-13	----	1:5 @ A3	0		
<b>Xtralite (Rooflights) Limited</b> Spencer Road, Blyth Industrial Estate, Blyth, Northumberland, NE24 5TG T:01670 354 157 F:01670 364 875 E:sales@xtralite.co.uk W:www.xtralite.co.uk								 DRG No. XT-X2-C-0302-ISL