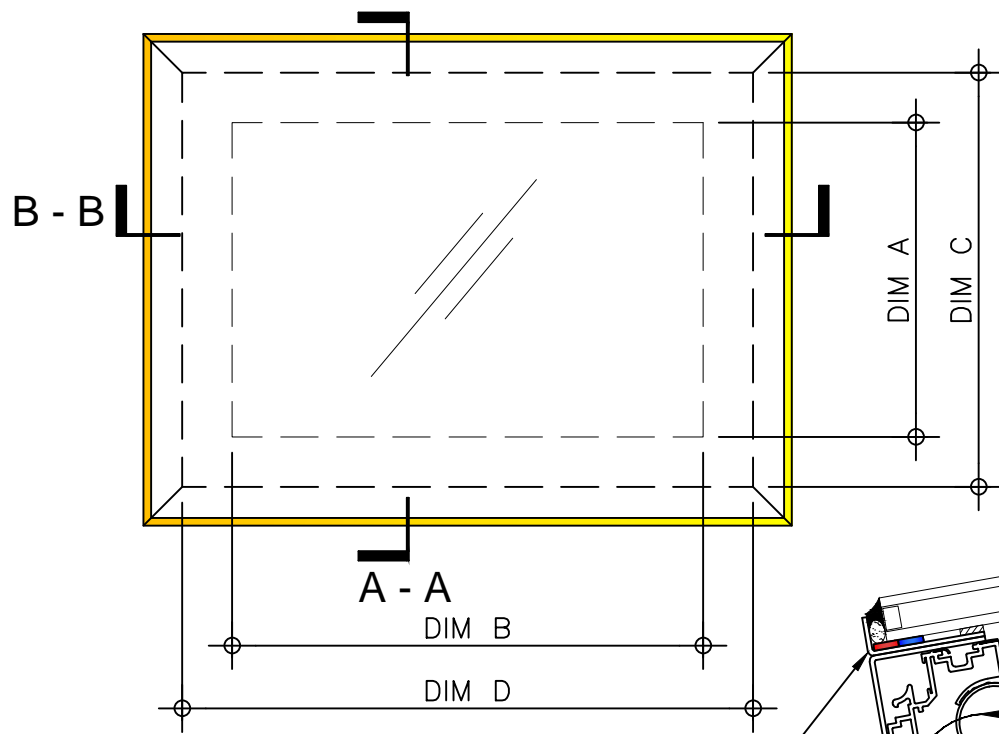


**Kerb Specification:**  
 X2 kerb constructed from self finish white uPVC

**Typical Glazing Specification:**  
 Outer - 6mm thick clear toughened glass  
 Core - 16mm thick air filled cavity  
 Inner - 6.4mm thick clear laminated low 'E' glass

### PLAN ON MODULAR ROOFLIGHT



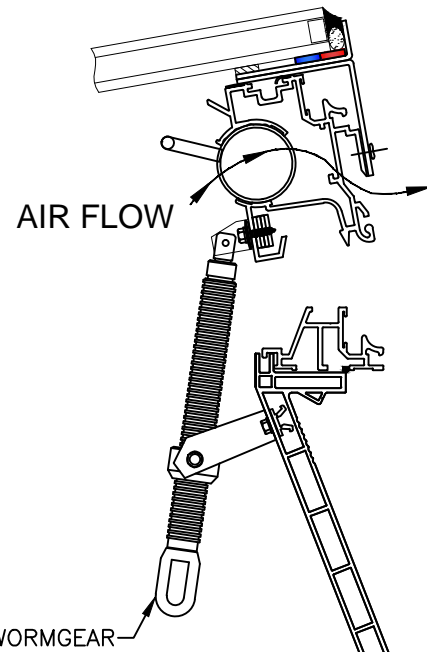
ALUMINIUM TEE SECTION USING BACK TO BACK ANGLES TO FULL PERIMETER, GLASS SILICONE SEALED INTO FRAME

FIXING POINT (FIXINGS DEPENDANT OF UPSTAND SUBSTRATE, TO BE DETERMINED BY CONTRACTOR)

ROOF FINISHES BY OTHERS

FILLET BY OTHERS

ROOF INSULATION BY OTHERS



### SECTION A - A

### SECTION B - B



REV:	DATE:	DESCRIPTION:	DRN BY	DESCRIPTION:
0	19.12.13	New modular drawings released	IW	uPVC upstand fixed direct to roof complete with rotary ventilation and wormgear operated flat double glazed glass lid.
DRAWN BY:		CREATION DATE:	CHECKED BY:	SCALE(S)
IW		19-Dec-13	----	1:5 @ A3
REVISION:		0		
<b>Xtralite (Rooflights) Limited</b> Spencer Road, Blyth Industrial Estate, Blyth, Northumberland, NE24 5TG T:01670 354 157 F:01670 364 875 E:sales@xtralite.co.uk W:www.xtralite.co.uk				<b>Xtralite ROOFLIGHTS</b> DRG No. XT-X2-C-0302-IGLF