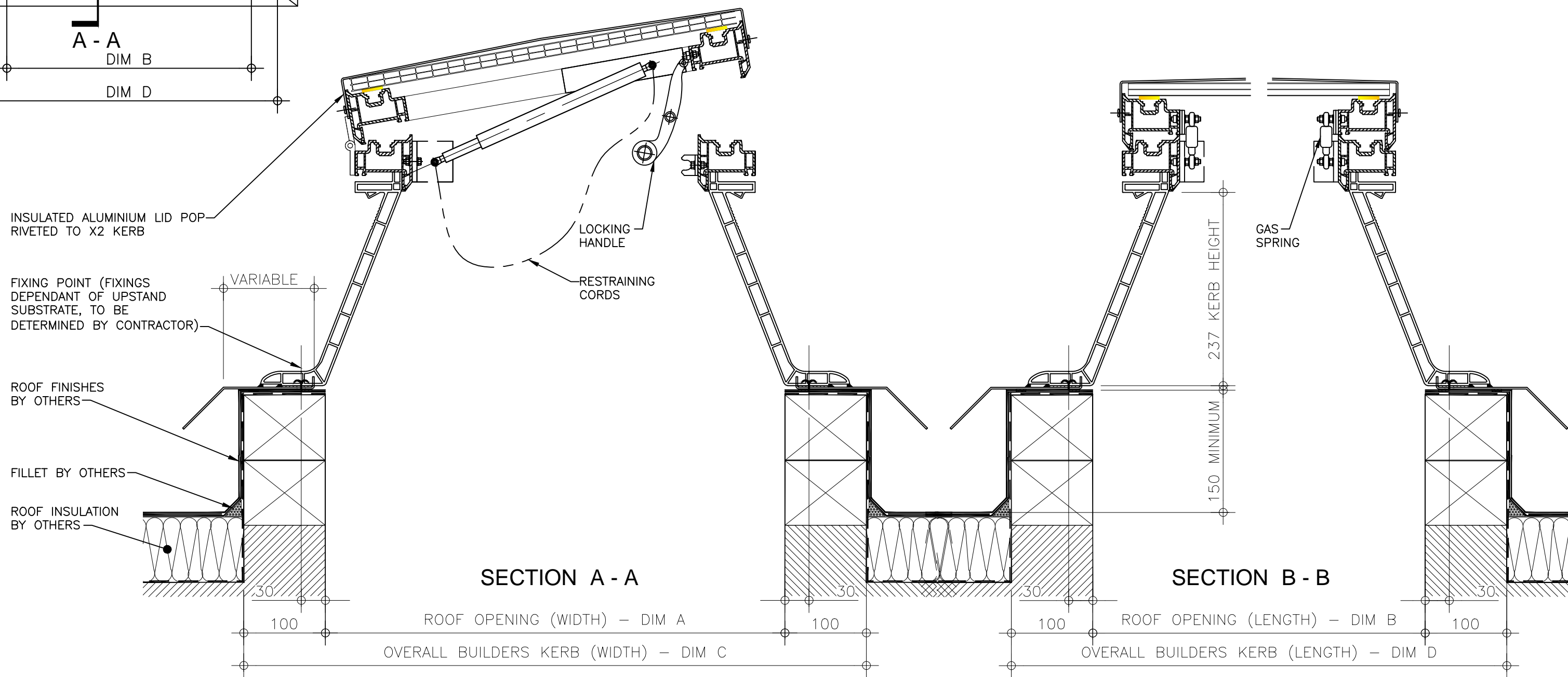
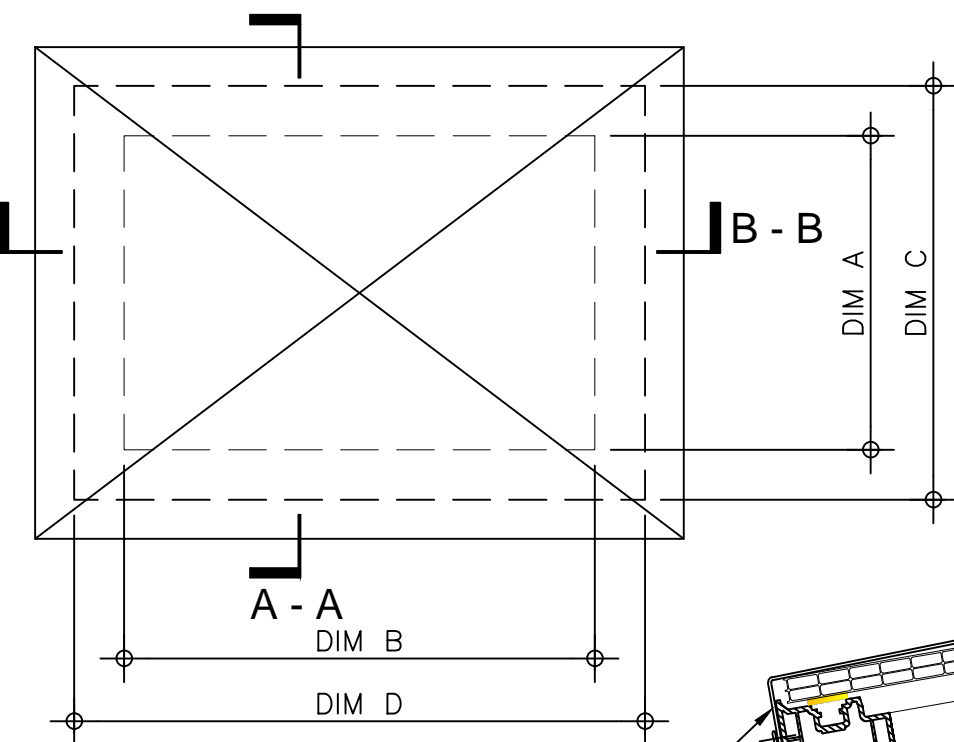


Kerb Specification:
 X2 kerb constructed from self finish white uPVC

Typical Glazing Specification:
 2mm thick polyester powder coated aluminium with 16mm structured polycarbonate internal liner

PLAN ON MODULAR ROOFLIGHT



REV:	DATE:	DESCRIPTION:	DRN BY	DESCRIPTION:										
0	19.12.13	New modular drawings released	IW	uPVC access hatch upstand with adaptor base kerb, gas spring operated complete with restraining cords and insulated solid lid.										
				<table border="1"> <tr> <td>DRAWN BY:</td> <td>CREATION DATE:</td> <td>CHECKED BY:</td> <td>SCALE(S)</td> <td>REVISION:</td> </tr> <tr> <td>IW</td> <td>19-Dec-13</td> <td>----</td> <td>1:5 @ A3</td> <td>0</td> </tr> </table>	DRAWN BY:	CREATION DATE:	CHECKED BY:	SCALE(S)	REVISION:	IW	19-Dec-13	----	1:5 @ A3	0
DRAWN BY:	CREATION DATE:	CHECKED BY:	SCALE(S)	REVISION:										
IW	19-Dec-13	----	1:5 @ A3	0										
				<p>Xtralite (Rooflights) Limited Spencer Road, Blyth Industrial Estate, Blyth, Northumberland, NE24 5TG T:01670 354 157 F:01670 364 875 E:sales@xtralite.co.uk W:www.xtralite.co.uk</p>										
				<p>Xtralite ROOFLIGHTS</p> <p>DRG No. XT-X2-C-04G-ISL</p>										