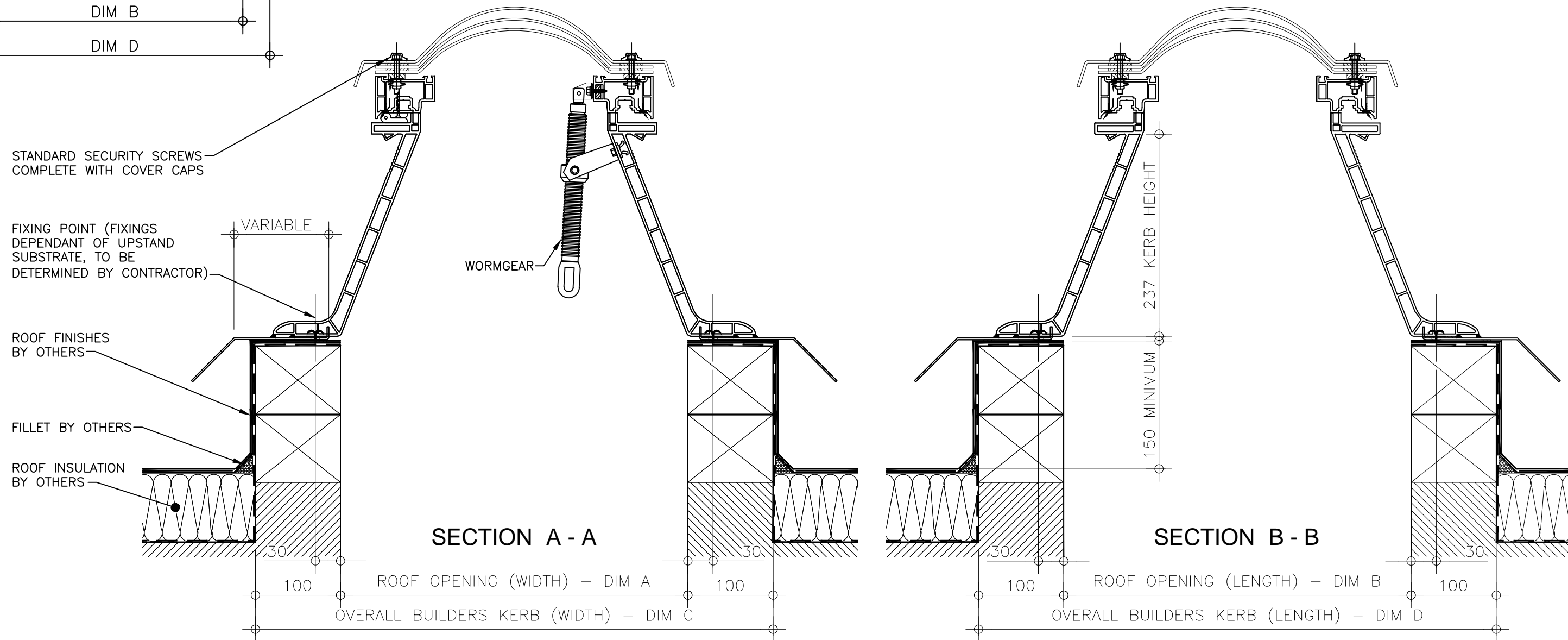


**Kerb Specification:**  
 X2 kerb constructed from self finish white uPVC

**Typical Glazing Specification:**  
 Outer - 3mm thick clear UV protected polycarbonate  
 Mid - 2mm thick clear polycarbonate  
 Inner - 3mm thick clear polycarbonate



REV:	DATE:	DESCRIPTION:	DRN BY	DESCRIPTION:				
0	19.12.13	New modular drawings released	IW	uPVC upstand fixed direct to roof complete with wormgear operated lifting frame and triple skin polycarbonate dome and standard security screws.				
				DRAWN BY:	CREATION DATE:	CHECKED BY:	SCALE(S)	REVISION:
				IW	19-Dec-13	----	1:5 @ A3	0
				<b>Xtralite (Rooflights) Limited</b>				
				Spencer Road, Blyth Industrial Estate, Blyth, Northumberland, NE24 5TG				
				T:01670 354 157 F:01670 364 875 E:sales@xtralite.co.uk W:www.xtralite.co.uk				
				DRG No.				
				XT-X2-C-03-SS				