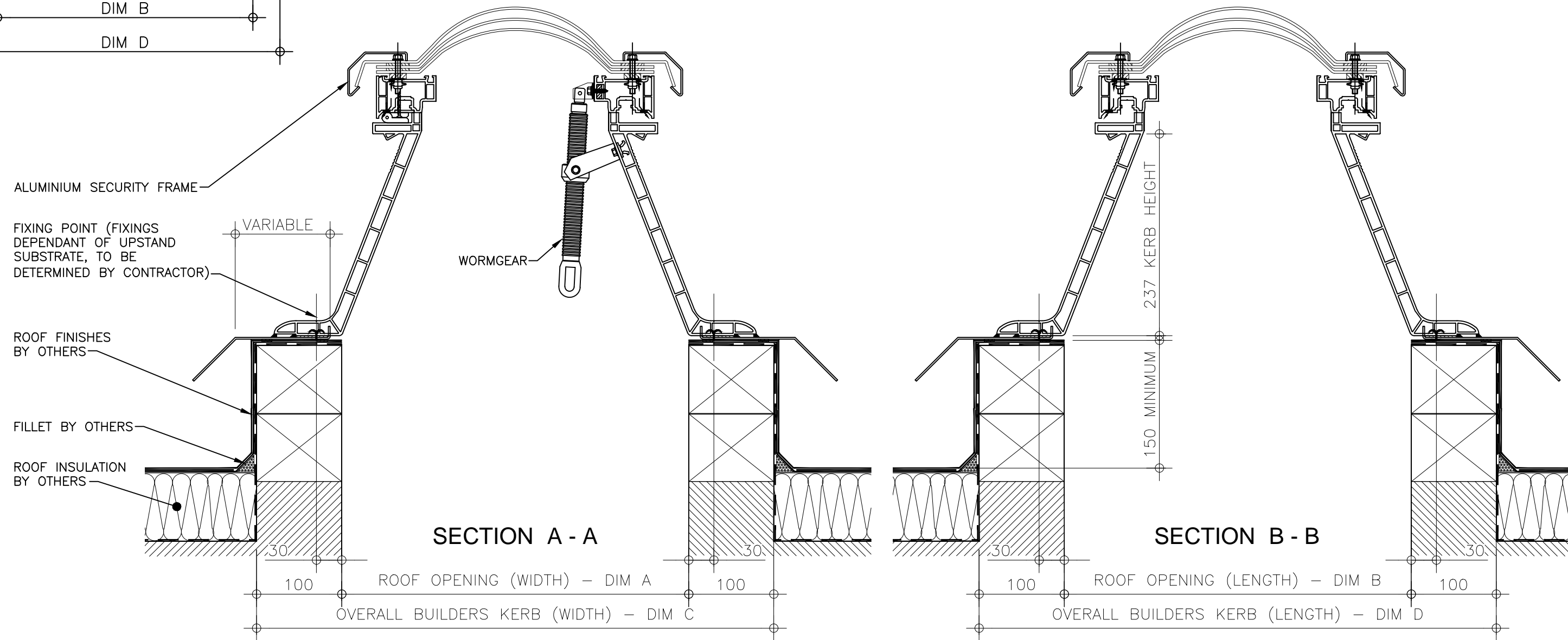


**PLAN ON MODULAR ROOFLIGHT**

Kerb Specification:  
 X2 kerb constructed from self finish white uPVC

Typical Glazing Specification:  
 Outer - 3mm thick clear UV protected polycarbonate  
 Mid - 2mm thick clear polycarbonate  
 Inner - 3mm thick clear polycarbonate



REV:	DATE:	DESCRIPTION:	DRN BY:	DESCRIPTION:			
0	19.12.13	New modular drawings released	IW	uPVC upstand fixed direct to roof complete with wormgear operated lifting frame and triple skin polycarbonate dome and security frame.			
DRAWN BY:		CREATION DATE:	CHECKED BY:	SCALE(S)	REVISION:		
IW		19-Dec-13	----	1:5 @ A3	0		
<b>Xtralite (Rooflights) Limited</b> Spencer Road, Blyth Industrial Estate, Blyth, Northumberland, NE24 5TG T:01670 354 157 F:01670 364 875 E:sales@xtralite.co.uk W:www.xtralite.co.uk							DRG No. <b>XT-X2-C-03-SF</b>

