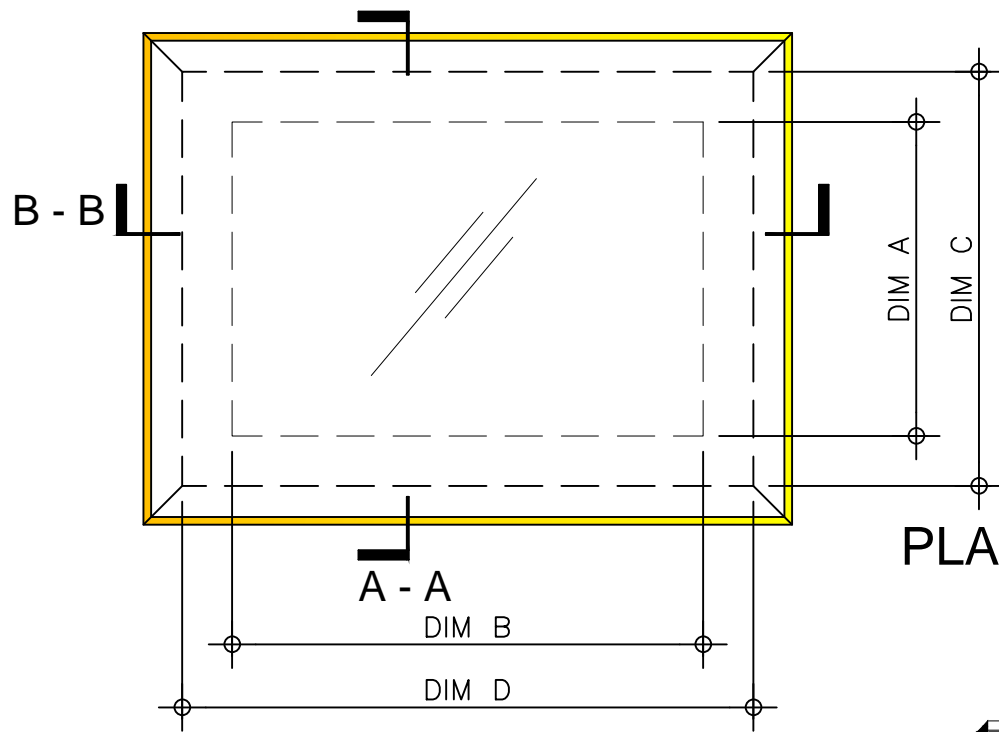
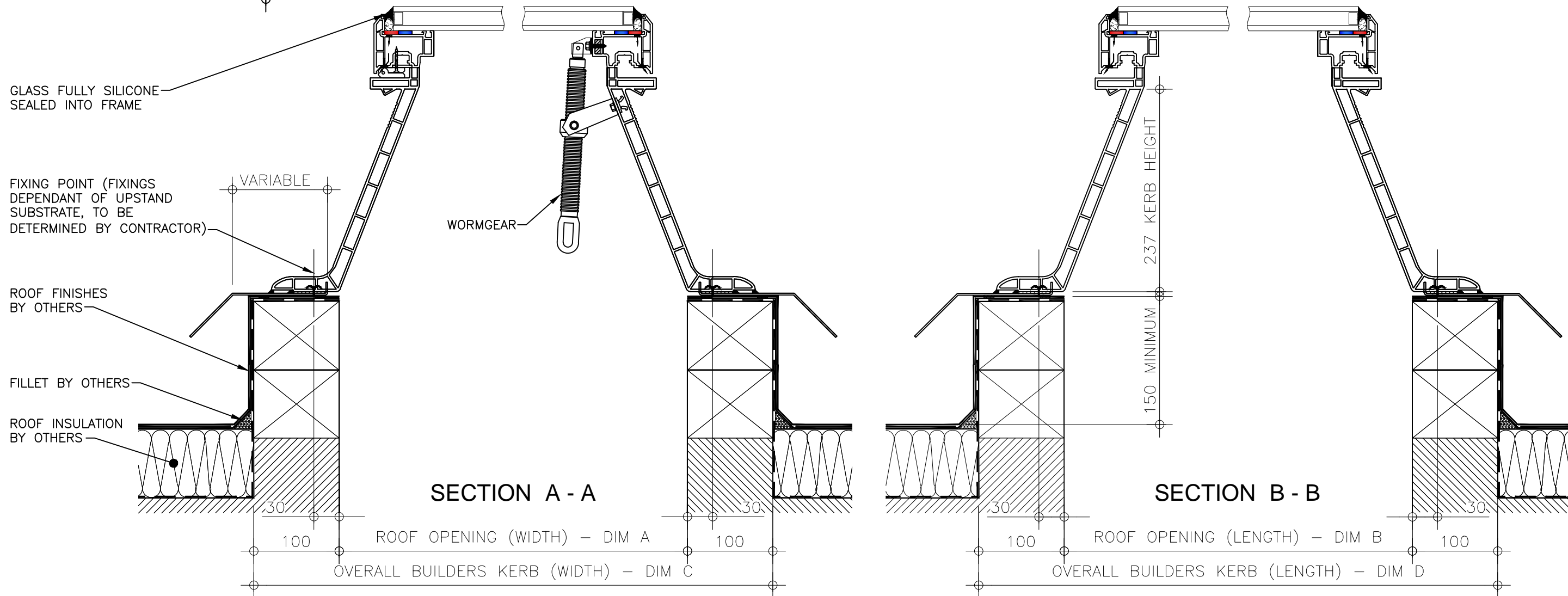


Kerb Specification:
 X2 kerb constructed from self finish white uPVC

Typical Glazing Specification:
 Outer - 6mm thick clear toughened glass
 Core - 16mm thick air filled cavity
 Inner - 6.4mm thick clear laminated low 'E' glass



PLAN ON MODULAR ROOFLIGHT



SECTION A - A

SECTION B - B

| | | | | | | | | | |
|-----------|-------------------|---|--------------|--|-----------------------------|---------------------|----------------------|----------------|---|
| REV: 0 | DATE: 19.12.13 | DESCRIPTION: New modular drawings released | DRN BY IW | DESCRIPTION: uPVC upstand fixed direct to roof complete with wormgear operated lifting frame and flat double glazed glass lid. | | | | |  DRG No. XT-X2-C-03-IGLF |
| | | | | DRAWN BY: IW | CREATION DATE: 19-Dec-13 | CHECKED BY: ---- | SCALE(S) 1:5 @ A3 | REVISION: 0 | |
| | | | | Xtralite (Rooflights) Limited Spencer Road, Blyth Industrial Estate, Blyth, Northumberland, NE24 5TG T:01670 354 157 F:01670 364 875 E:sales@xtralite.co.uk W:www.xtralite.co.uk | | | | | |