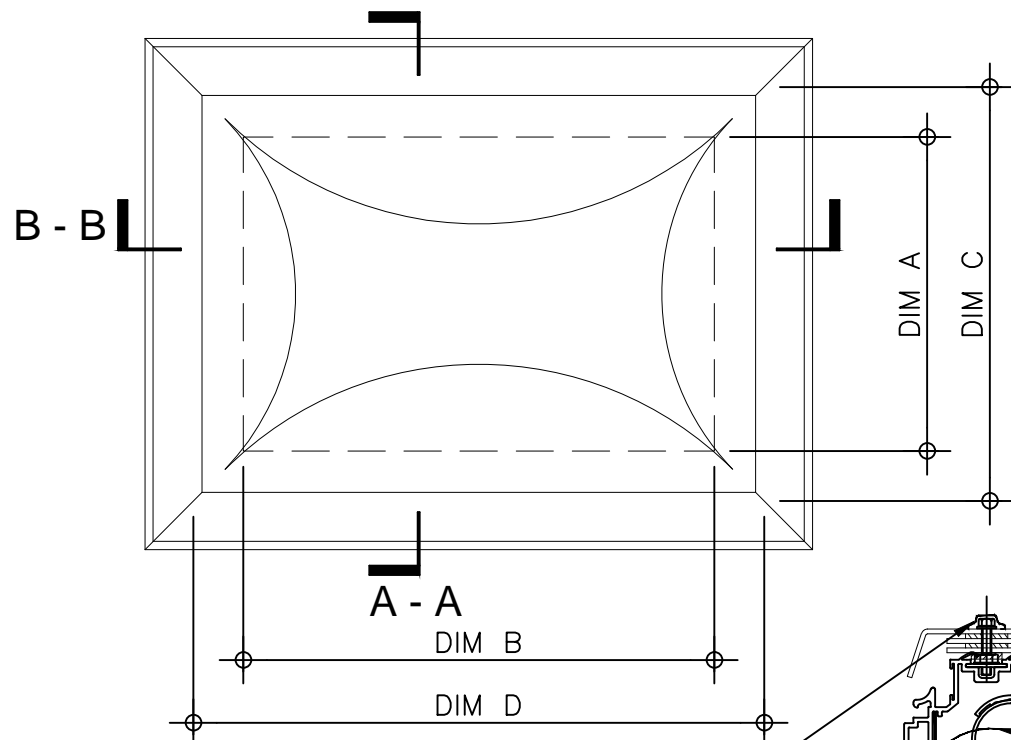


Kerb Specification:
 X2 kerb constructed from self finish white uPVC

Typical Glazing Specification:
 Outer - 3mm thick clear UV protected polycarbonate
 Mid - 2mm thick clear polycarbonate
 Inner - 3mm thick clear polycarbonate

PLAN ON MODULAR ROOFLIGHT



STANDARD SECURITY SCREWS COMPLETE WITH COVER CAPS

FIXING POINT (FIXINGS DEPENDANT OF UPSTAND SUBSTRATE, TO BE DETERMINED BY CONTRACTOR)

ROOF FINISHES BY OTHERS

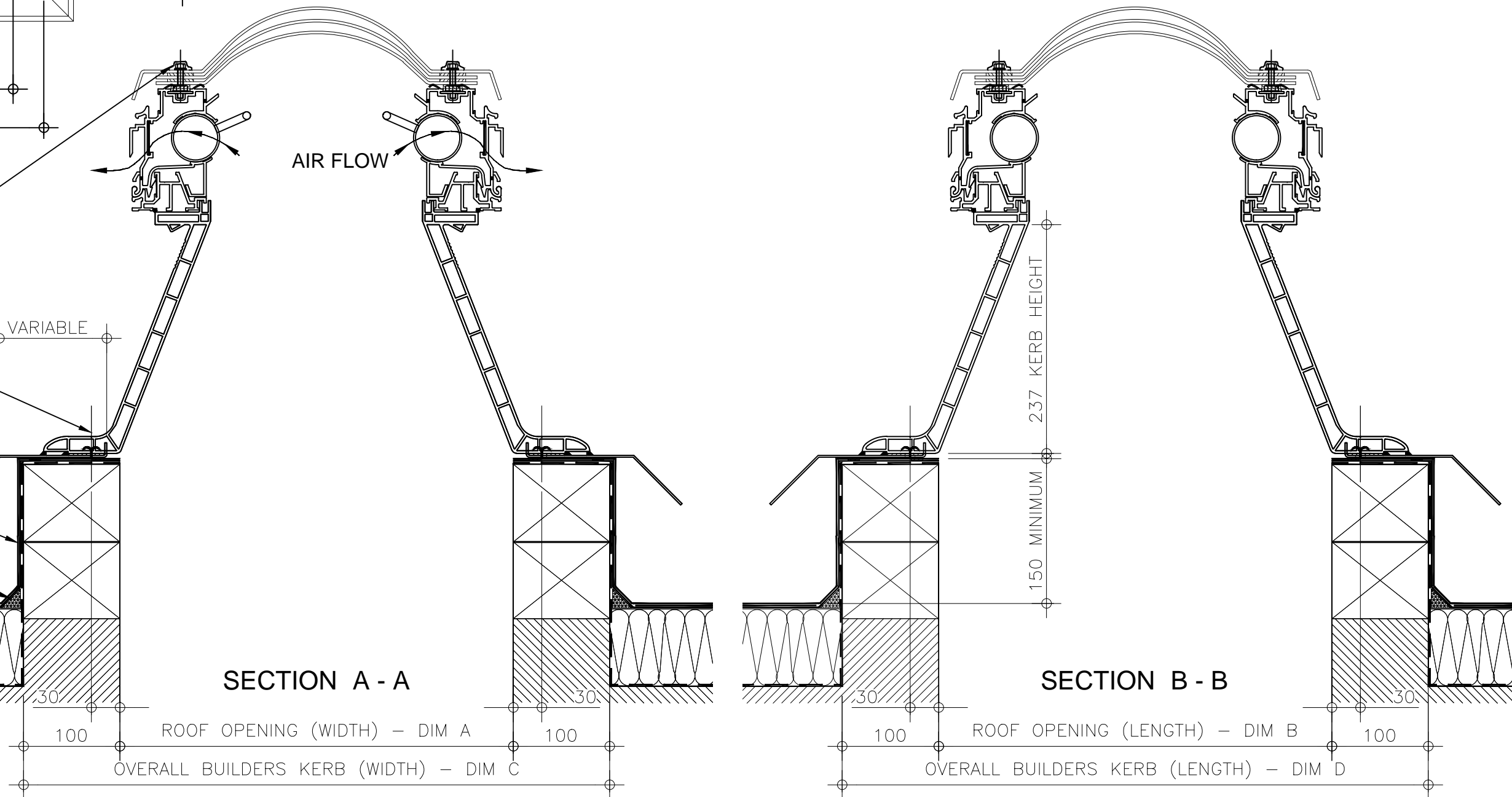
FILLET BY OTHERS

ROOF INSULATION BY OTHERS

AIR FLOW

SECTION A - A

SECTION B - B



REV:	DATE:	DESCRIPTION:	DRN BY	DESCRIPTION:			
0	19.12.13	New modular drawings released	IW	uPVC upstand fixed direct to roof complete with rotary ventilation and triple skin polycarbonate dome and standard security screws.			
DRAWN BY:		CREATION DATE:	CHECKED BY:	SCALE(S)	REVISION:		
IW		19-Dec-13	----	1:5 @ A3	0		
Xtralite (Rooflights) Limited Spencer Road, Blyth Industrial Estate, Blyth, Northumberland, NE24 5TG T:01670 354 157 F:01670 364 875 E:sales@xtralite.co.uk W:www.xtralite.co.uk							 DRG No. XT-X2-C-02-SS