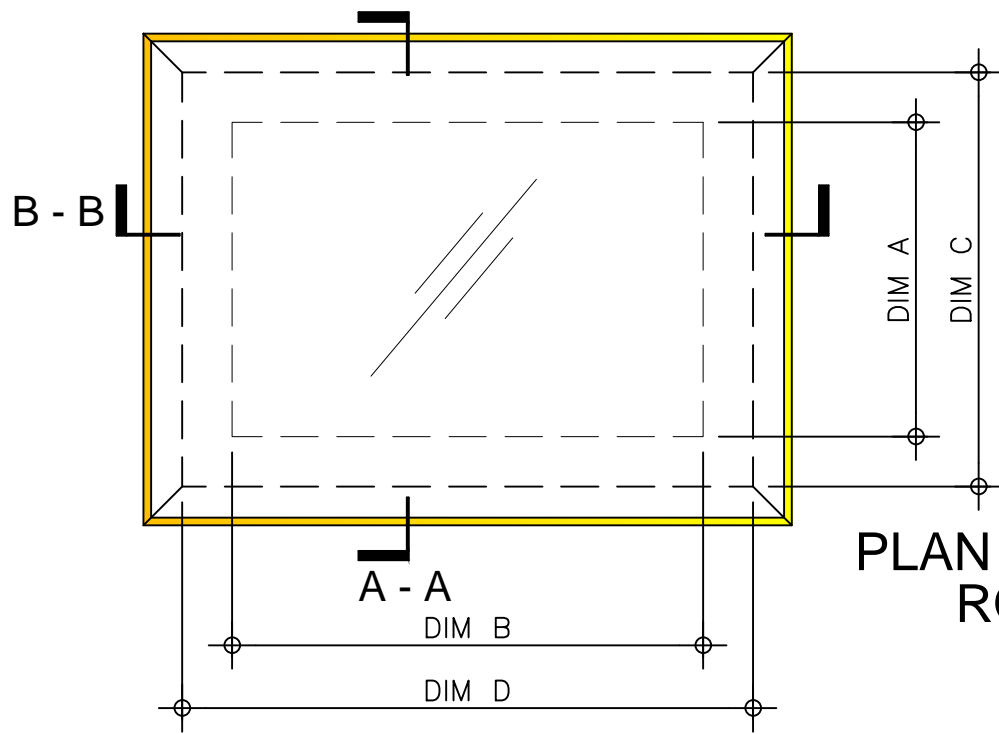
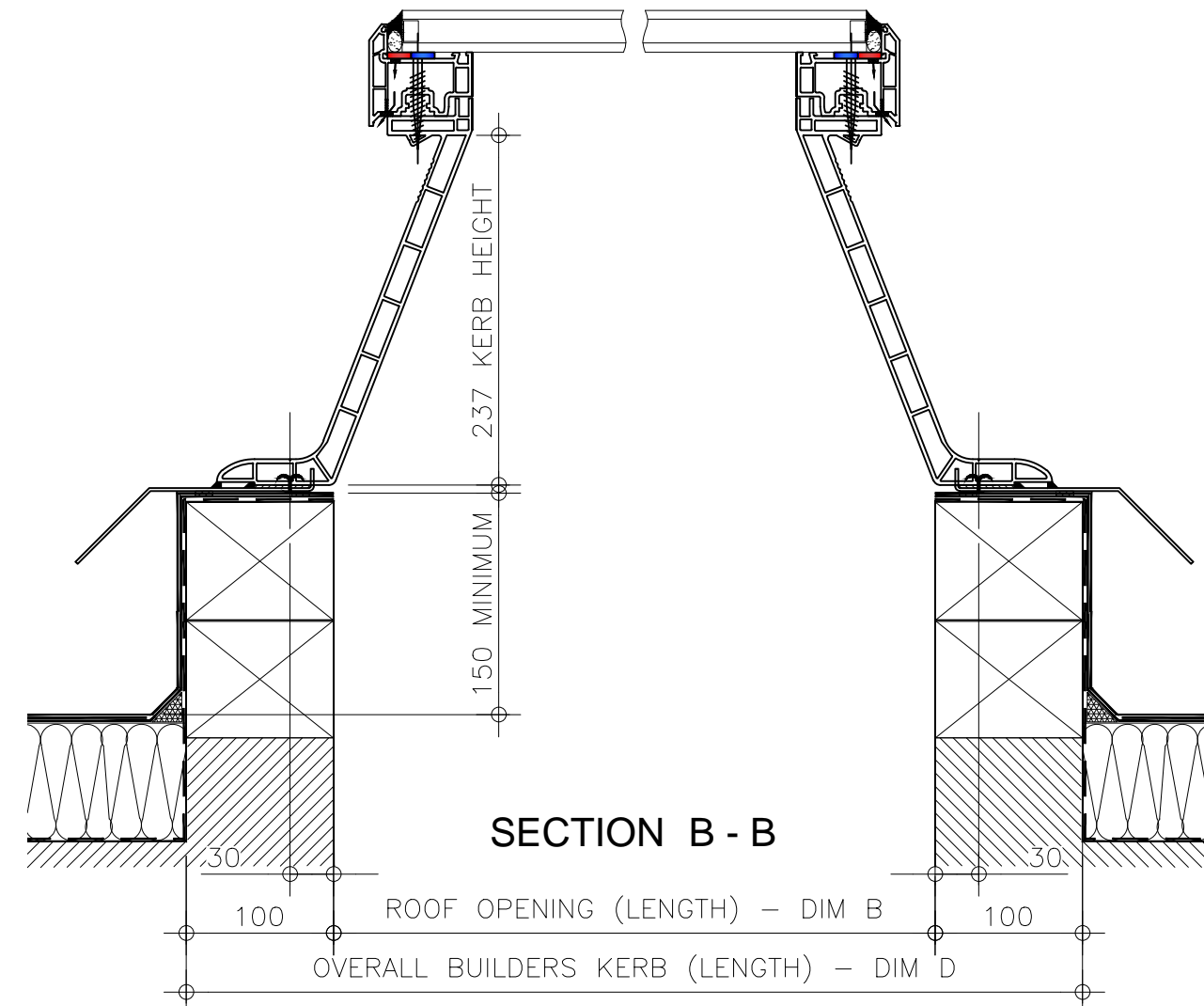
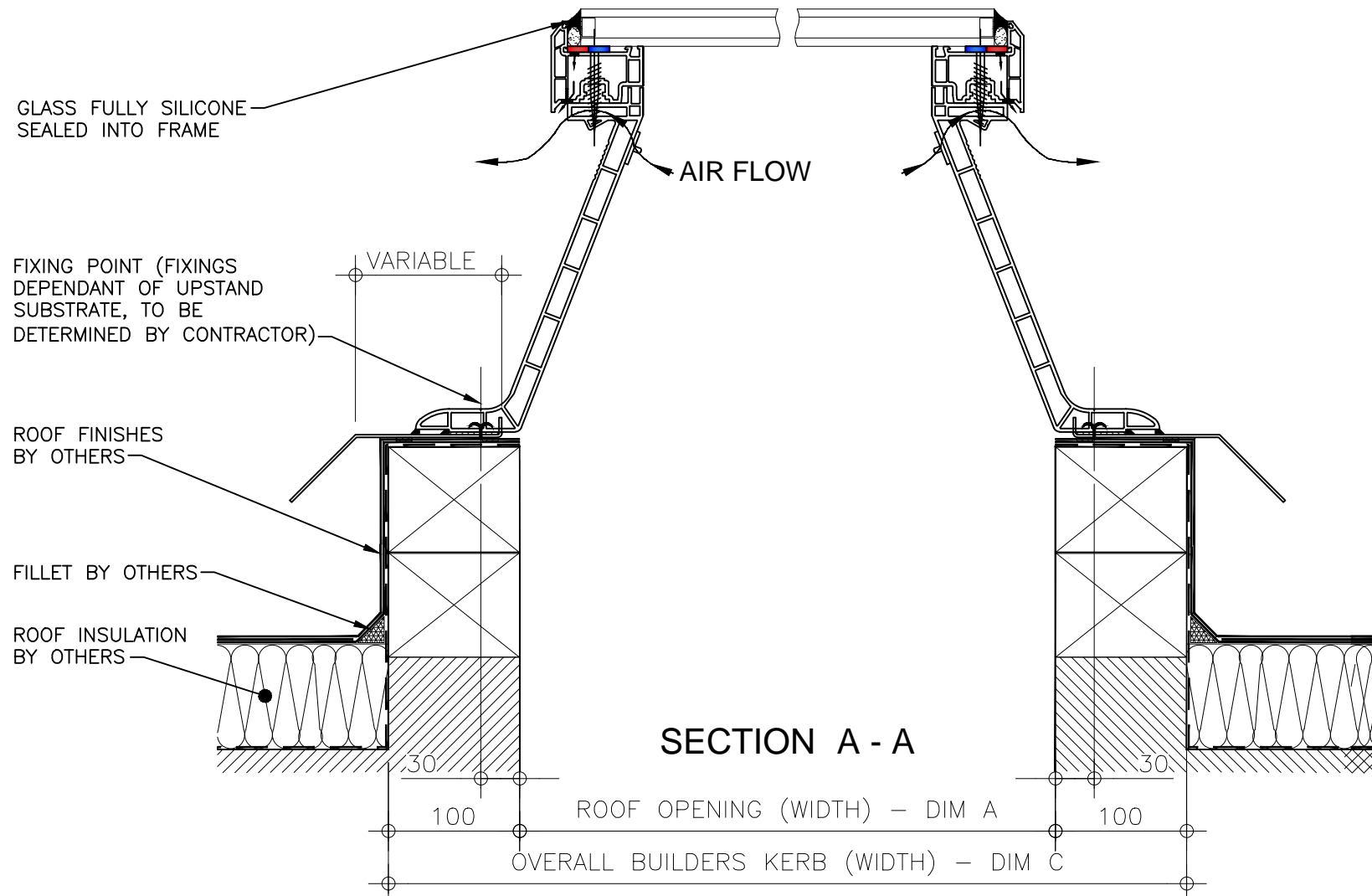


Kerb Specification:
 X2 kerb constructed from self finish white uPVC

Typical Glazing Specification:
 Outer - 6mm thick clear toughened glass
 Core - 16mm thick air filled cavity
 Inner - 6.4mm thick clear laminated low 'E' glass



PLAN ON MODULAR ROOFLIGHT



REV:	DATE:	DESCRIPTION:	DRN BY	DESCRIPTION:
0	19.12.13	New modular drawings released	IW	Hit & Miss Ventilated uPVC upstand with adaptor base kerb, complete with flat double glazed glass lid.
		DRAWN BY:	CREATION DATE:	CHECKED BY:
		IW	19-Dec-13	----
		SCALE(S)		REVISION:
		1:5 @ A3		0
				Xtralite (Rooflights) Limited
				Spencer Road, Blyth Industrial Estate, Blyth, Northumberland, NE24 5TG
				T:01670 354 157 F:01670 364 875 E:sales@xtralite.co.uk W:www.xtralite.co.uk



DRG No.
 XT-X2-C-01-IGLF