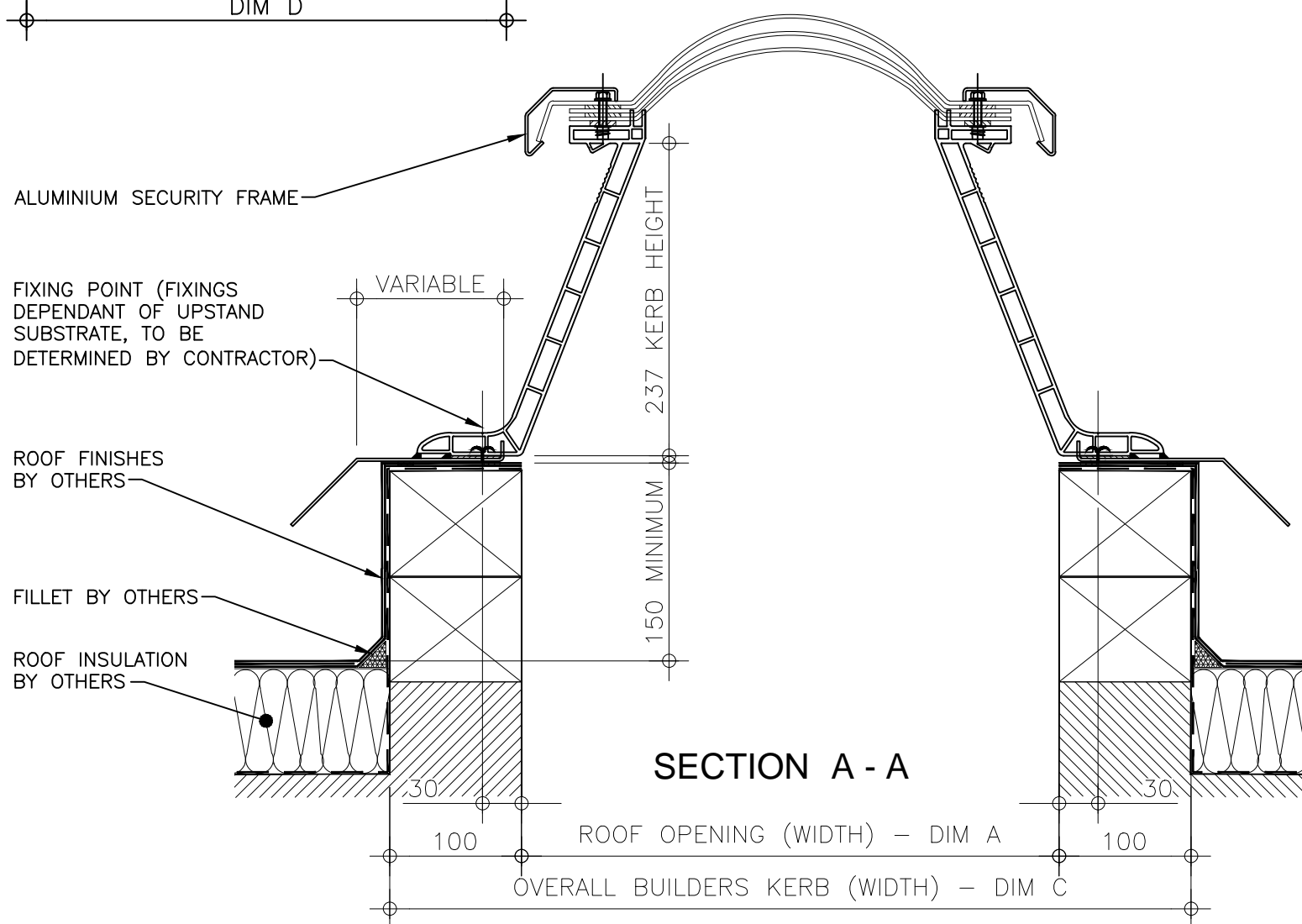


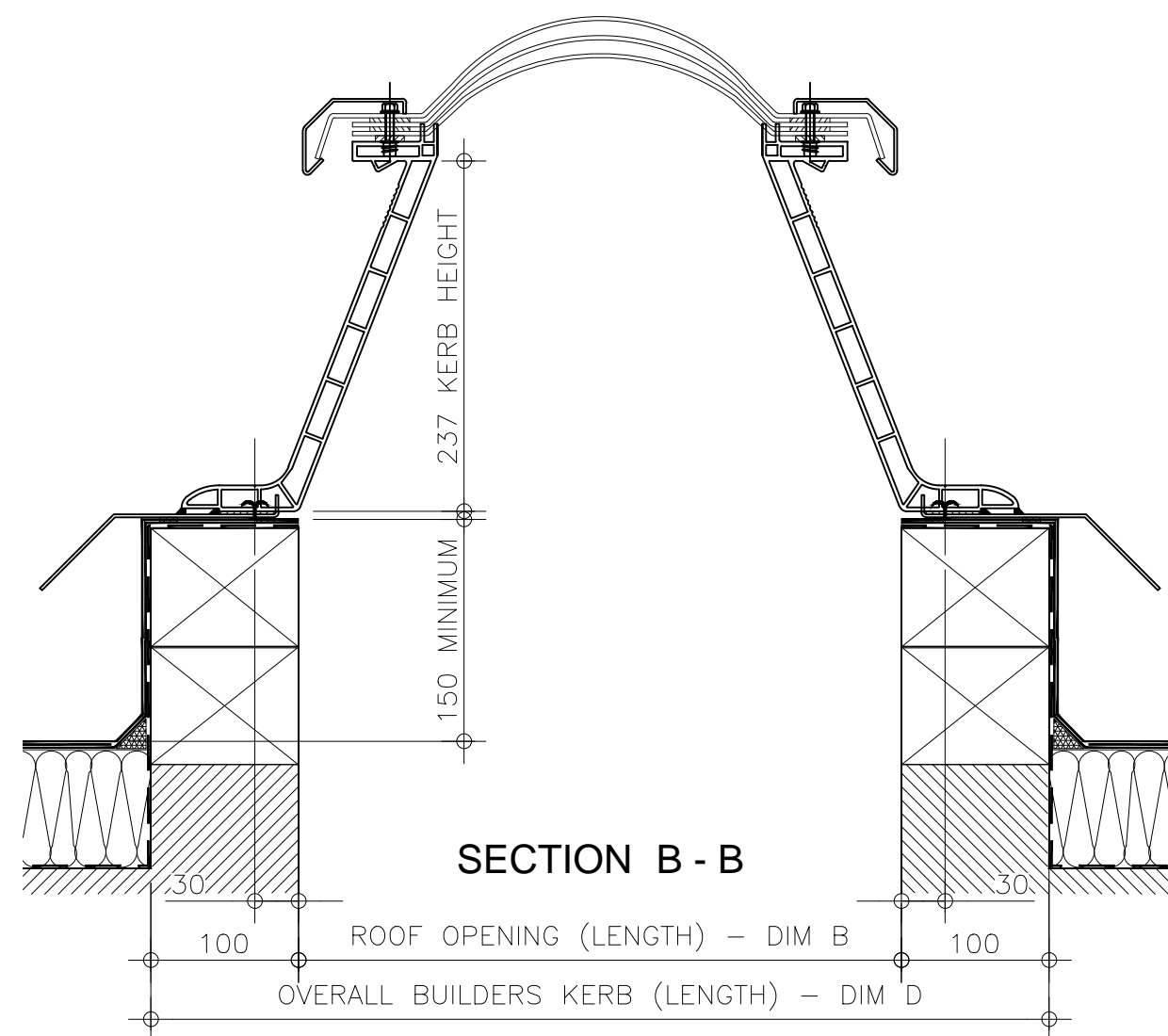
**PLAN ON MODULAR ROOFLIGHT**

Kerb Specification:  
X2 kerb constructed from self finish white uPVC


Typical Glazing Specification:  
Outer - 3mm thick clear UV protected polycarbonate  
Mid - 2mm thick clear polycarbonate  
Inner - 3mm thick clear polycarbonate



**SECTION A - A**



**SECTION B - B**

REV:	DATE:	DESCRIPTION:	DRN BY:	DESCRIPTION:				
0	19.12.13	New modular drawings released	IW	Unventilated uPVC upstand with adaptor base kerb, complete with triple skin polycarbonate dome and security frame.				
				DRAWN BY:	CREATION DATE:	CHECKED BY:	SCALE(S)	
				IW	19-Dec-13	----	1:5 @ A3	0
				<b>Xtralite (Rooflights) Limited</b> Spencer Road, Blyth Industrial Estate, Blyth, Northumberland, NE24 5TG T:01670 354 157 F:01670 364 875 E:sales@xtralite.co.uk W:www.xtralite.co.uk				DRG No. <b>XT-X2-C-00-SF</b>