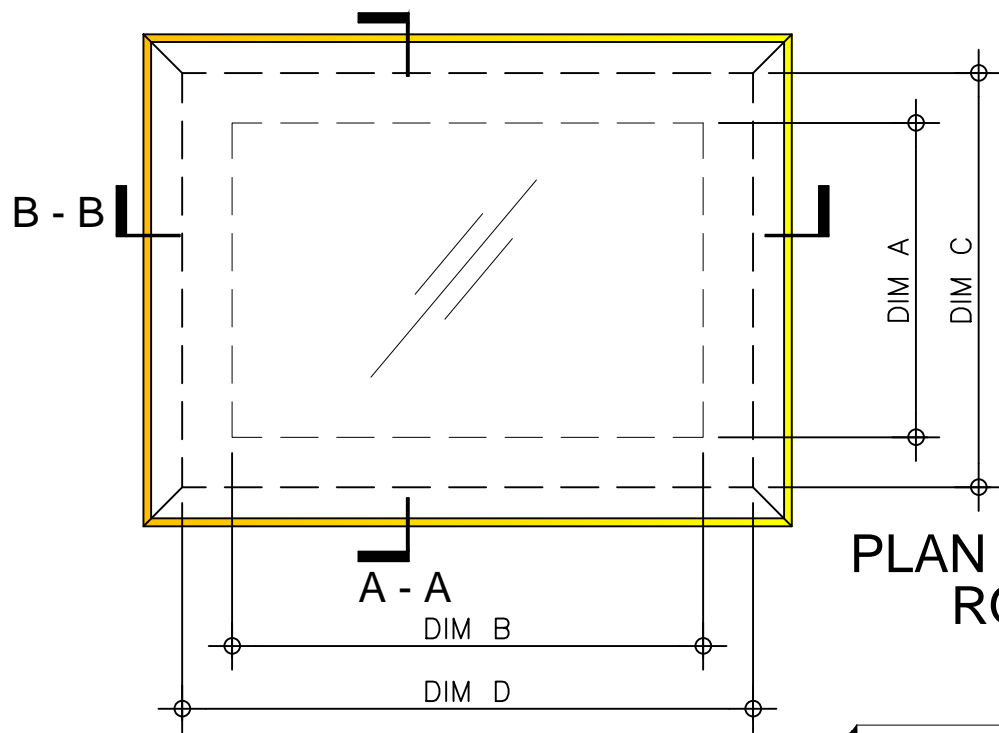
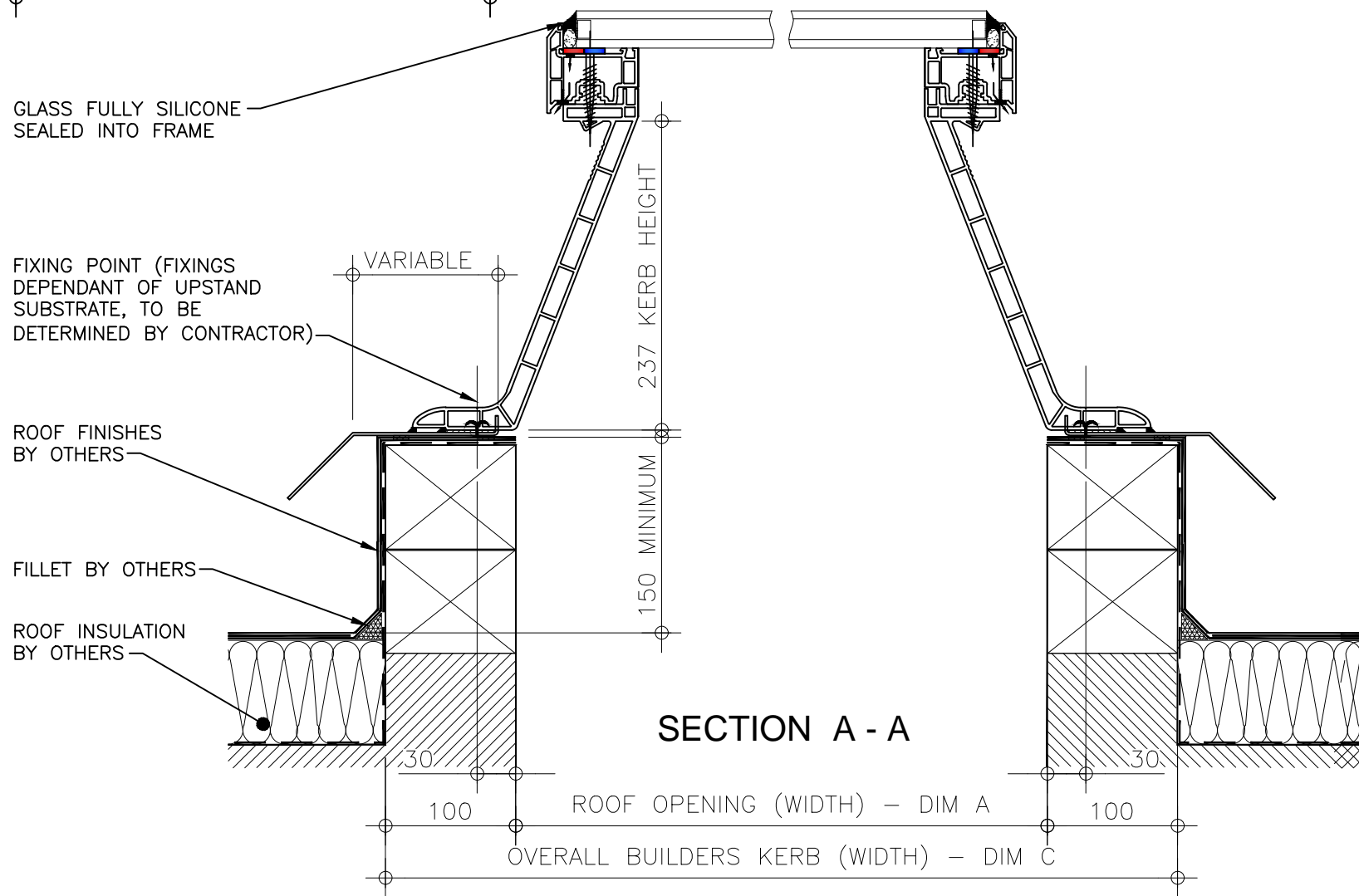


**Kerb Specification:**  
 X2 kerb constructed from self finish white uPVC

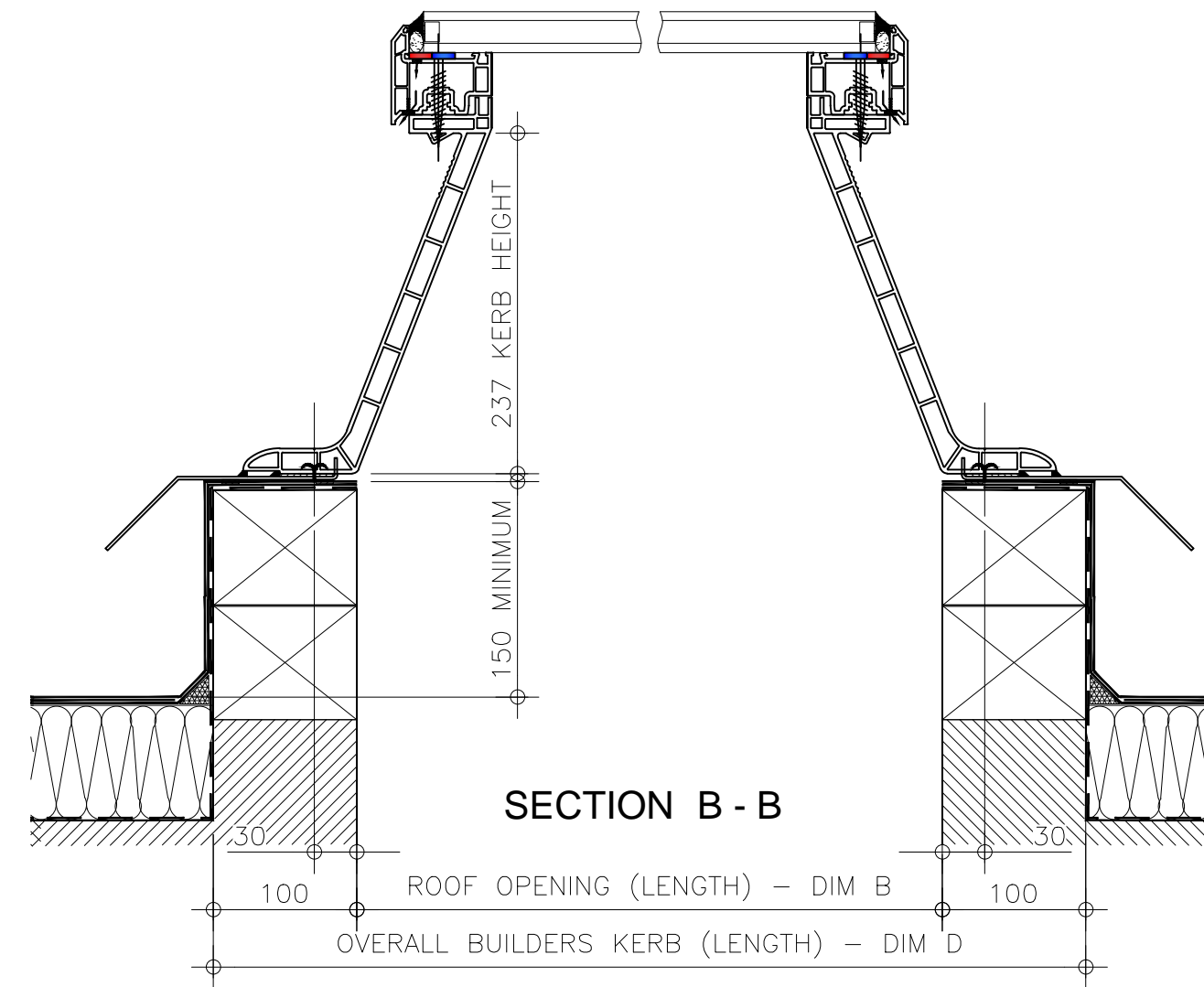
**Typical Glazing Specification:**  
 Outer - 6mm thick clear toughened glass  
 Core - 16mm thick air filled cavity  
 Inner - 6.4mm thick clear laminated low 'E' glass




**PLAN ON MODULAR ROOFLIGHT**



**SECTION A - A**



**SECTION B - B**

REV: 0	DATE: 19.12.13	DESCRIPTION: New modular drawings released	DRN BY IW	DESCRIPTION: Unventilated uPVC upstand with adaptor base kerb and flat double glazed glass lid.					 DRG No. XT-X2-D-00-IGLF
				DRAWN BY: IW	CREATION DATE: 19-Dec-13	CHECKED BY: ----	SCALE(S) 1:5 @ A3	REVISION: 0	
				<i>Xtralite (Rooflights) Limited</i> Spencer Road, Blyth Industrial Estate, Blyth, Northumberland, NE24 5TG T:01670 354 157 F:01670 364 875 E:sales@xtralite.co.uk W:www.xtralite.co.uk					