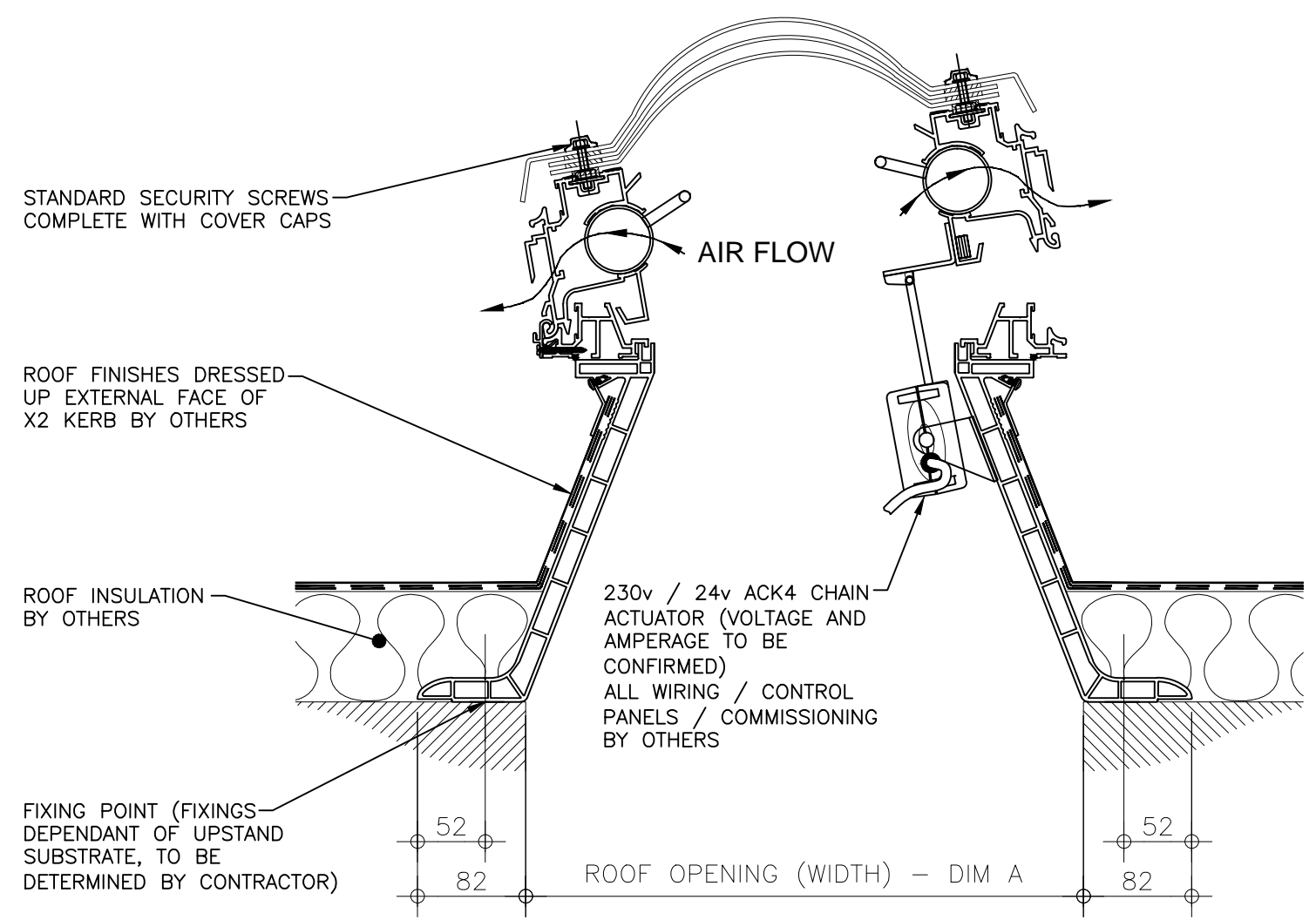
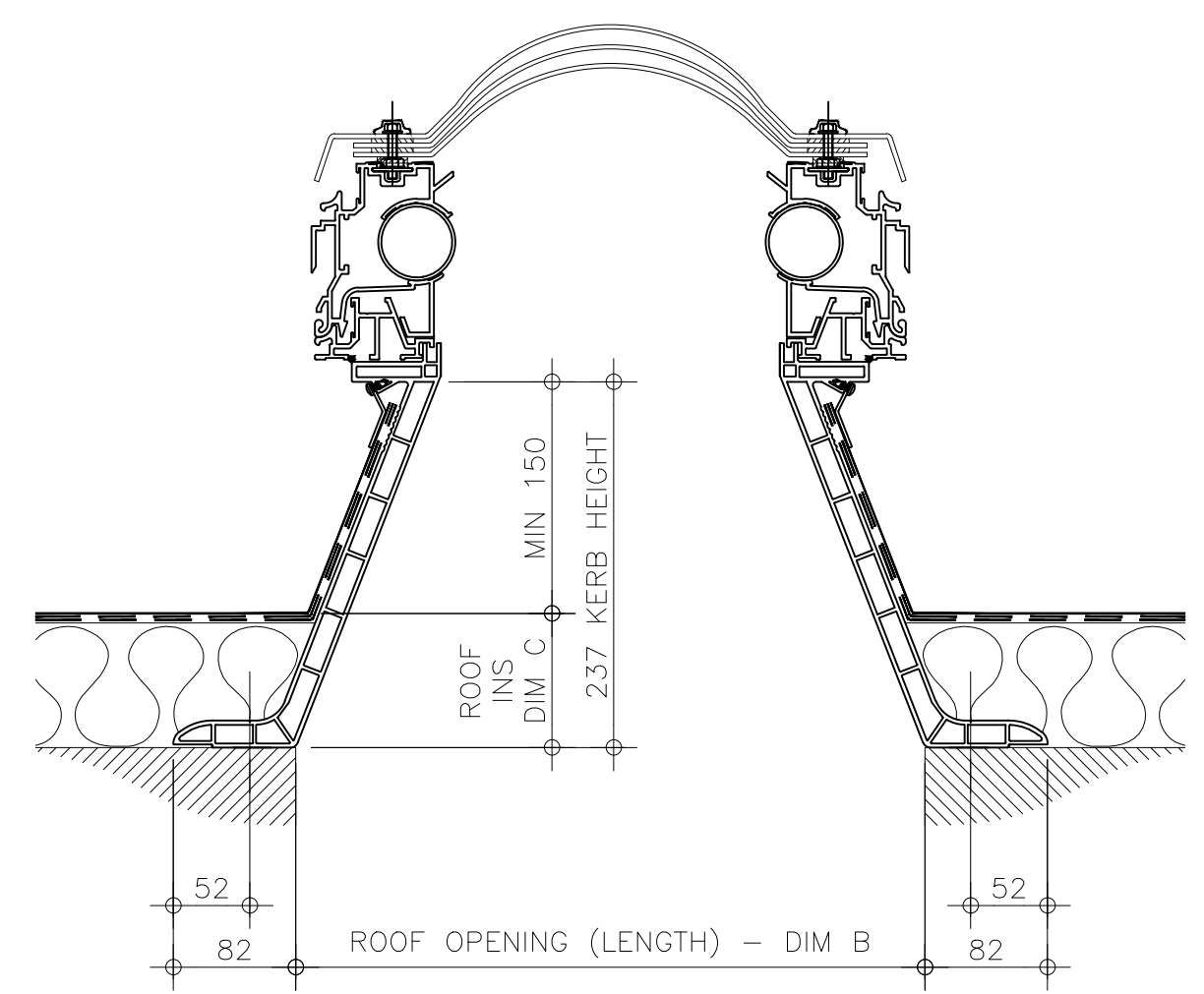


**Kerb Specification:**  
 X2 kerb constructed from self finish white uPVC


**Typical Glazing Specification:**  
 Outer - 3mm thick clear UV protected polycarbonate  
 Mid - 2mm thick clear polycarbonate  
 Inner - 3mm thick clear polycarbonate



**SECTION A - A**



**SECTION B - B**

REV:	DATE:	DESCRIPTION:	DRN BY	DESCRIPTION:
0	19.12.13	New modular drawings released	IW	Rotary & Linear Motor ventilated uPVC upstand, fixed direct to roof with triple skin polycarbonate dome and standard security screws.
		DRAWN BY: IW		CREATION DATE: 19-Dec-13
		CHECKED BY: ----		SCALE(S): 1:5 @ A3
				REVISION: 0
<b>Xtralite (Rooflights) Limited</b> Spencer Road, Blyth Industrial Estate, Blyth, Northumberland, NE24 5TG T:01670 354 157 F:01670 364 875 E:sales@xtralite.co.uk W:www.xtralite.co.uk				 <b>Xtralite ROOFLIGHTS</b> DRG No. XT-X1-A-0602-SS