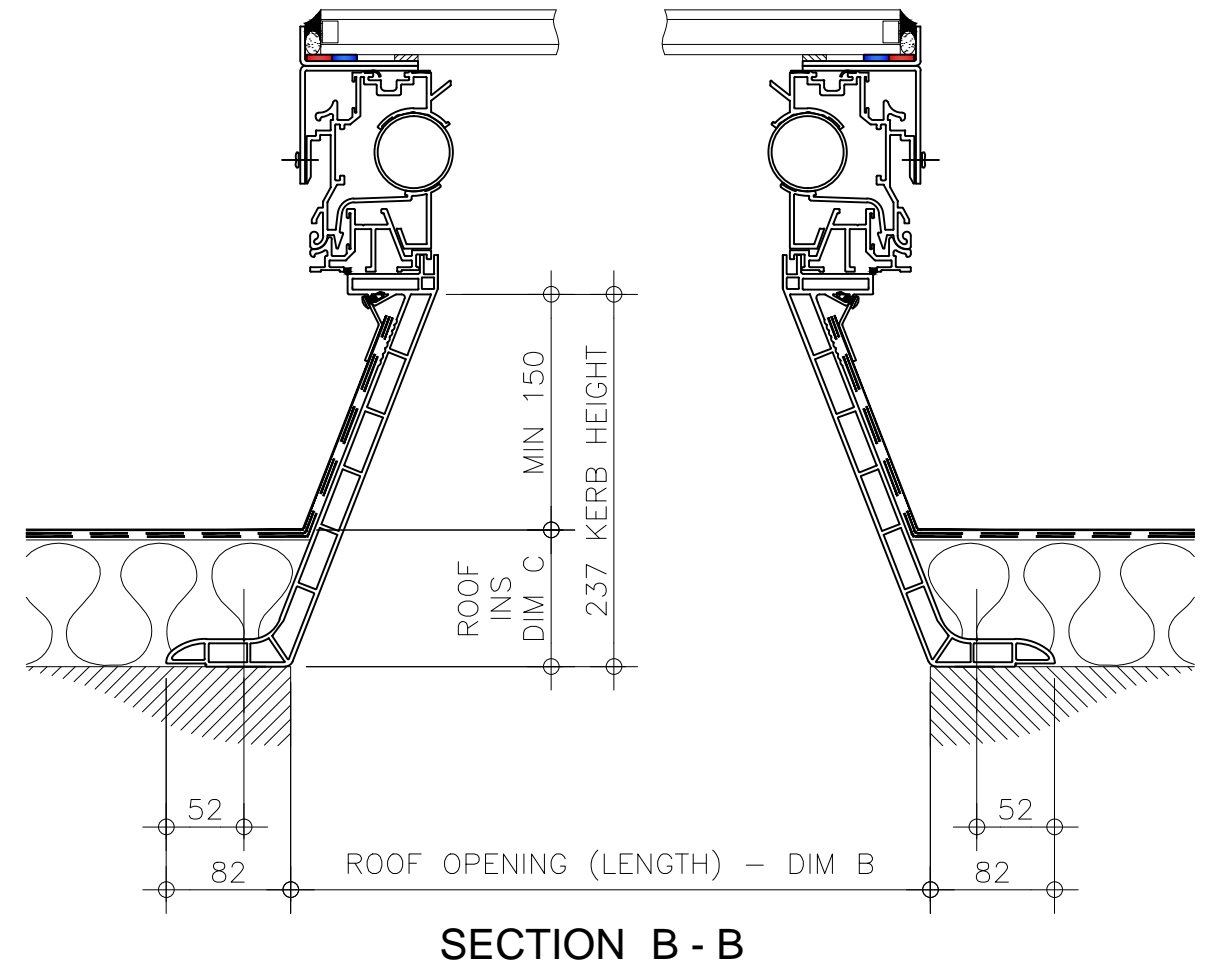
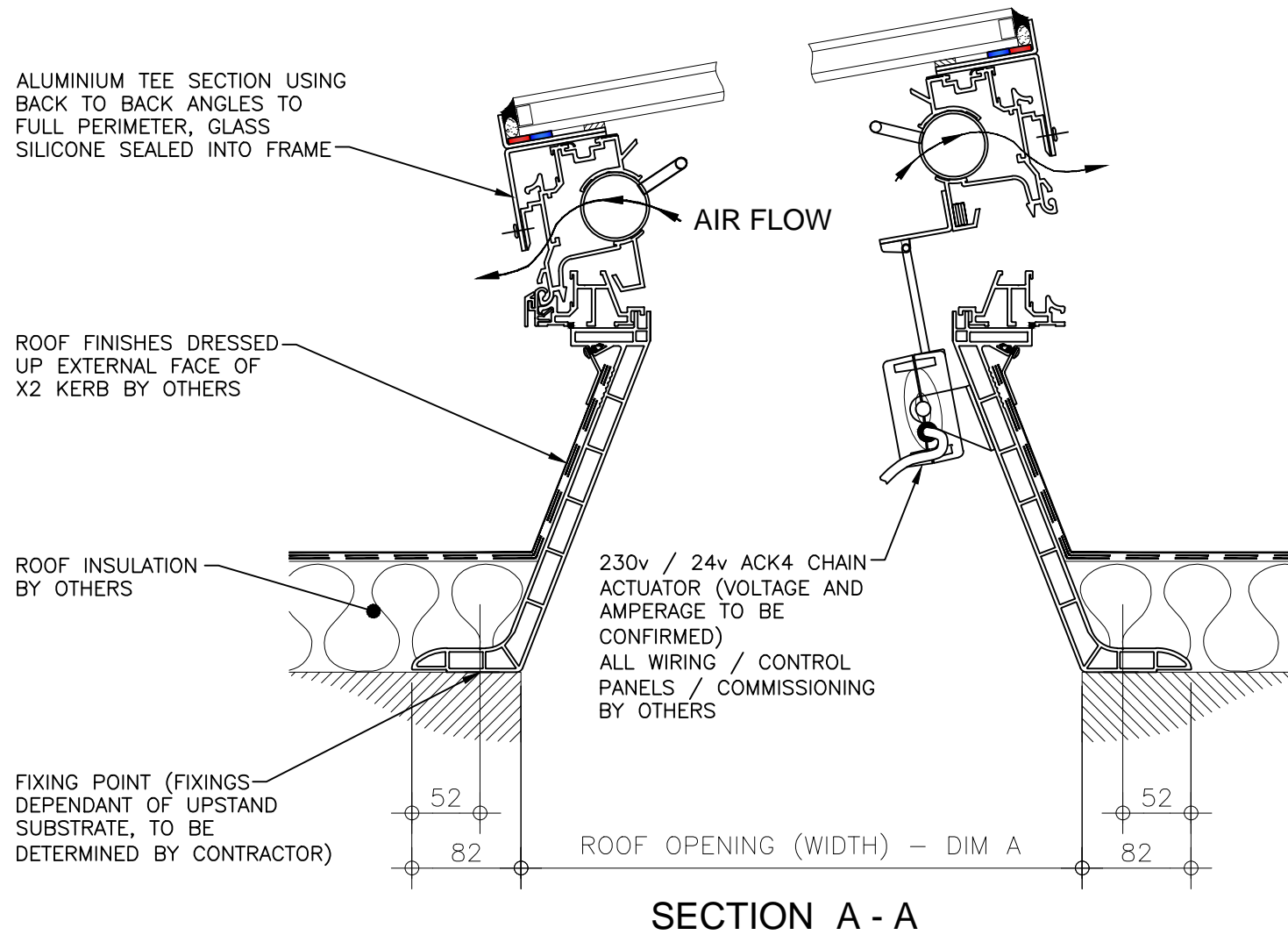
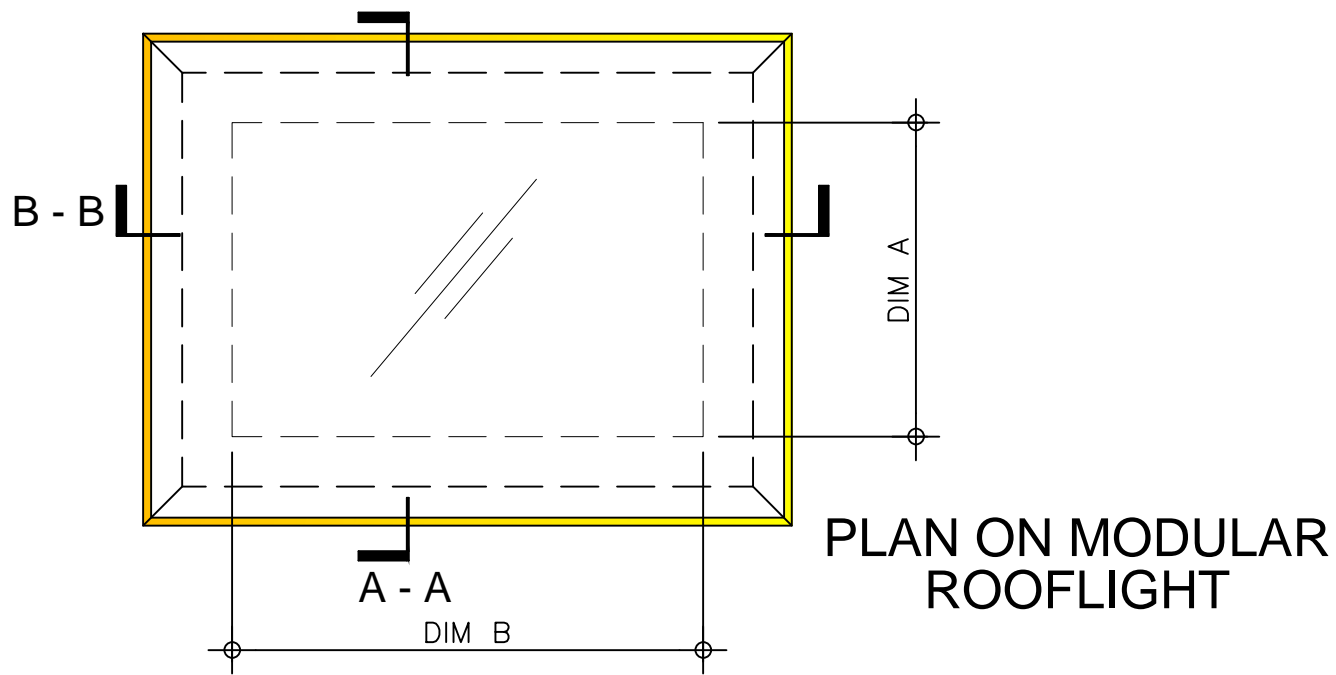


Kerb Specification:
 X2 kerb constructed from self finish white uPVC

Typical Glazing Specification:
 Outer - 6mm thick clear toughened glass
 Core - 16mm thick air filled cavity
 Inner - 6.4mm thick clear laminated low 'E' glass



REV:	DATE:	DESCRIPTION:	DRN BY	DESCRIPTION:
0	19.12.13	New modular drawings released	IW	Rotary & Linear Motor ventilated uPVC upstand, fixed direct to roof with flat double glazed glass lid.
DRAWN BY:		CREATION DATE:	CHECKED BY:	SCALE(S)
IW		19-Dec-13	----	1:5 @ A3
REVISION:				0
Xtralite (Rooflights) Limited Spencer Road, Blyth Industrial Estate, Blyth, Northumberland, NE24 5TG T:01670 354 157 F:01670 364 875 E:sales@xtralite.co.uk W:www.xtralite.co.uk				DRG No. XT-X1-A-0602-IGLF

