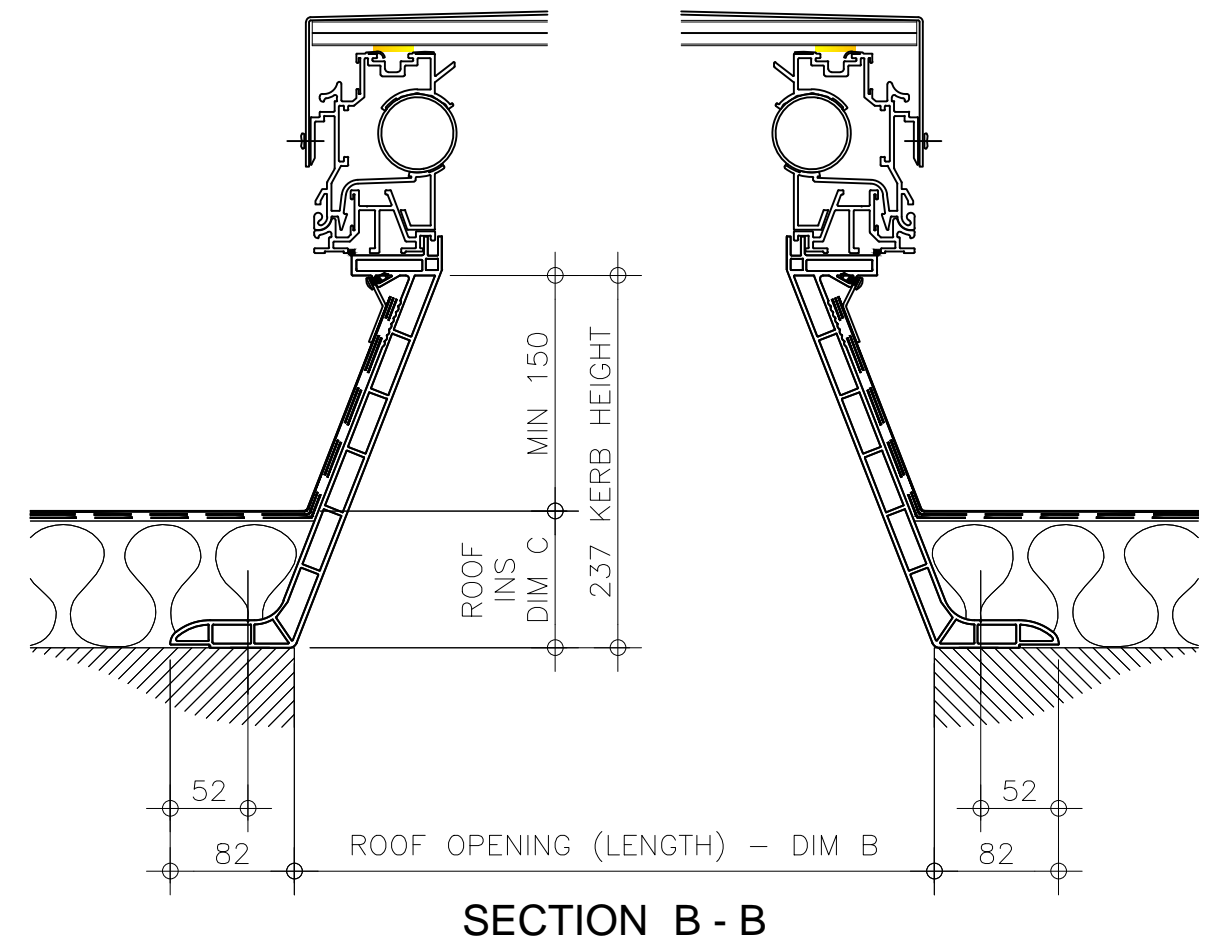
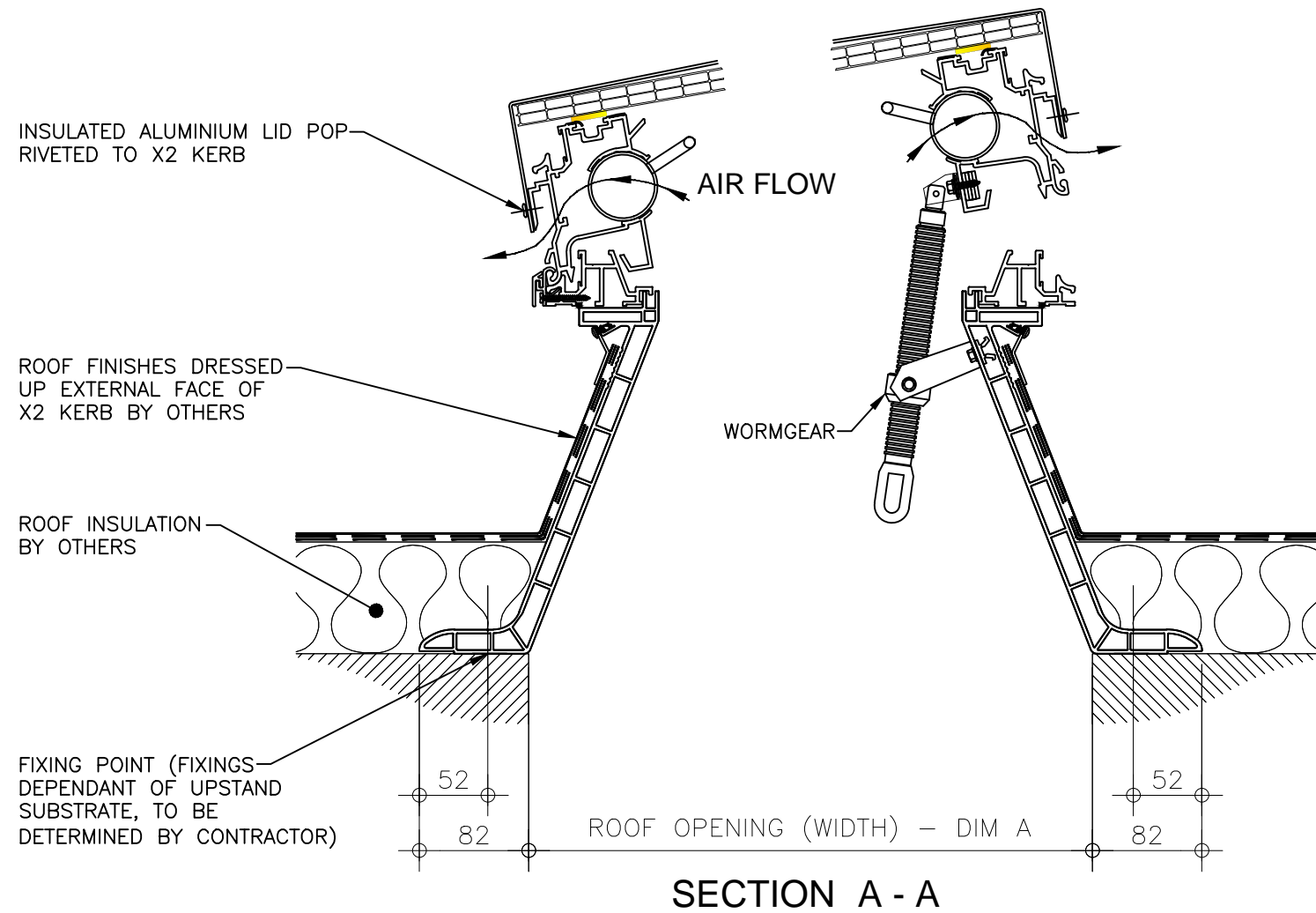
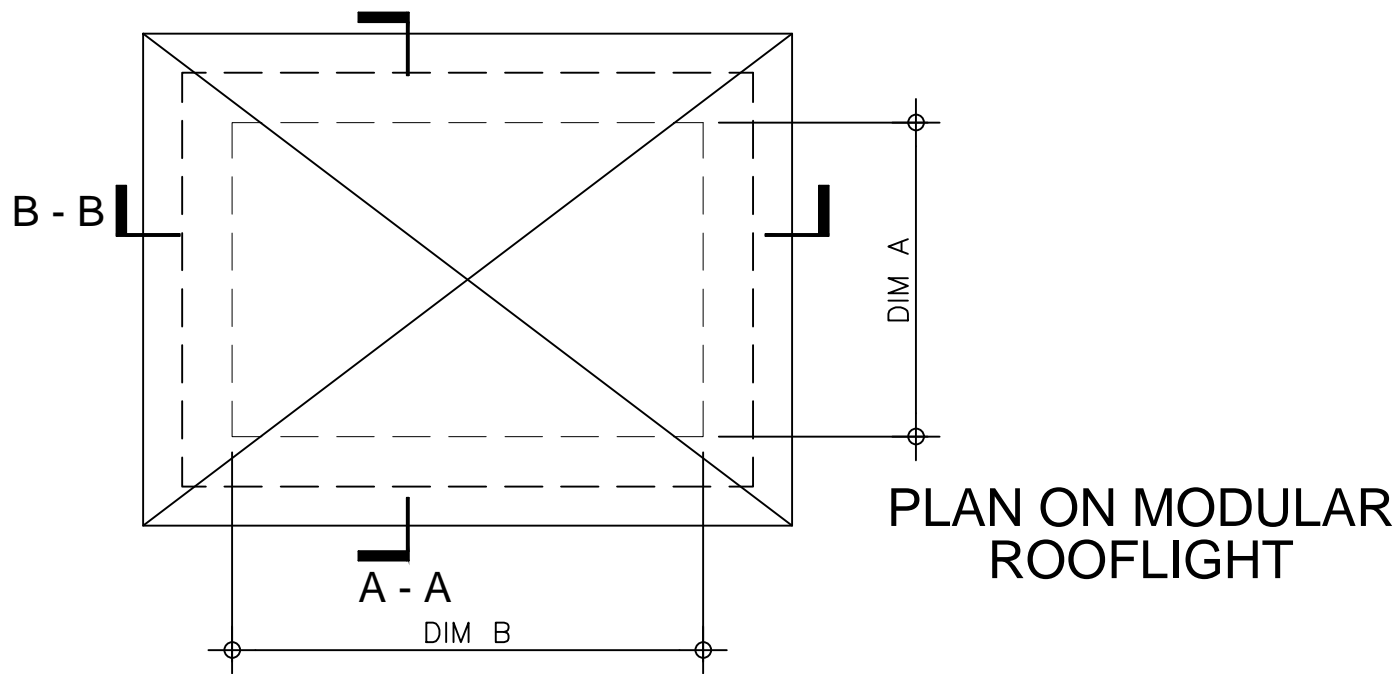



Kerb Specification:
 X2 kerb constructed from self finish white uPVC

Typical Glazing Specification:
 2mm thick polyester powder coated aluminium with 16mm structured polycarbonate internal liner



REV:	DATE:	DESCRIPTION:	DRN BY	DESCRIPTION:			
0	19.12.13	New modular drawings released	IW	uPVC upstand fixed direct to roof complete with rotary ventilation and wormgear operated insulated solid lid (aluminium).			
		DRAWN BY:	CREATION DATE:	CHECKED BY:	SCALE(S)	REVISION:	
		IW	19-Dec-13	----	1:5 @ A3	0	
Xtralite (Rooflights) Limited Spencer Road, Blyth Industrial Estate, Blyth, Northumberland, NE24 5TG T:01670 354 157 F:01670 364 875 E:sales@xtralite.co.uk W:www.xtralite.co.uk							 Xtralite ROOFLIGHTS DRG No. XT-X2-C-0302-ISL