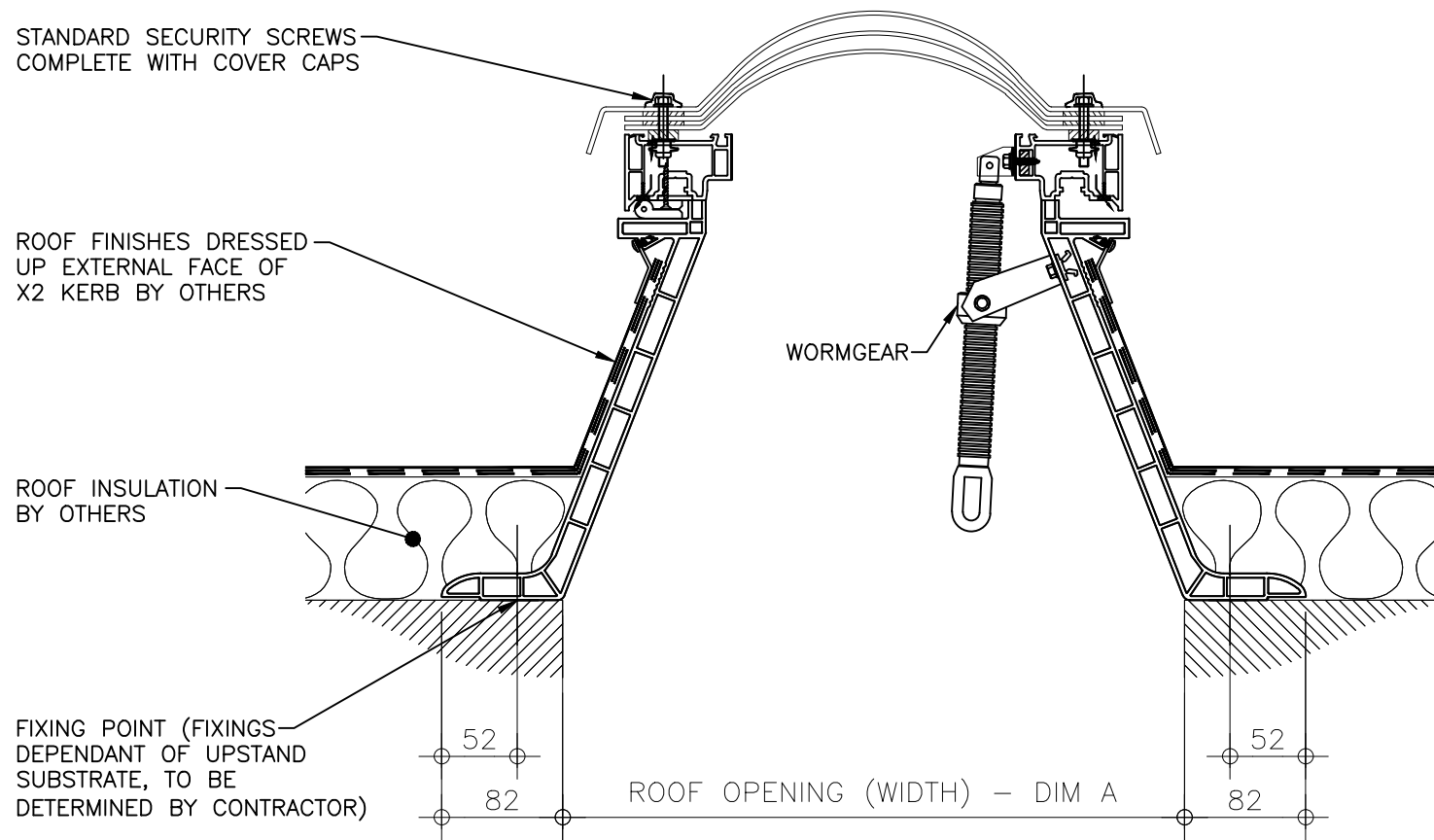
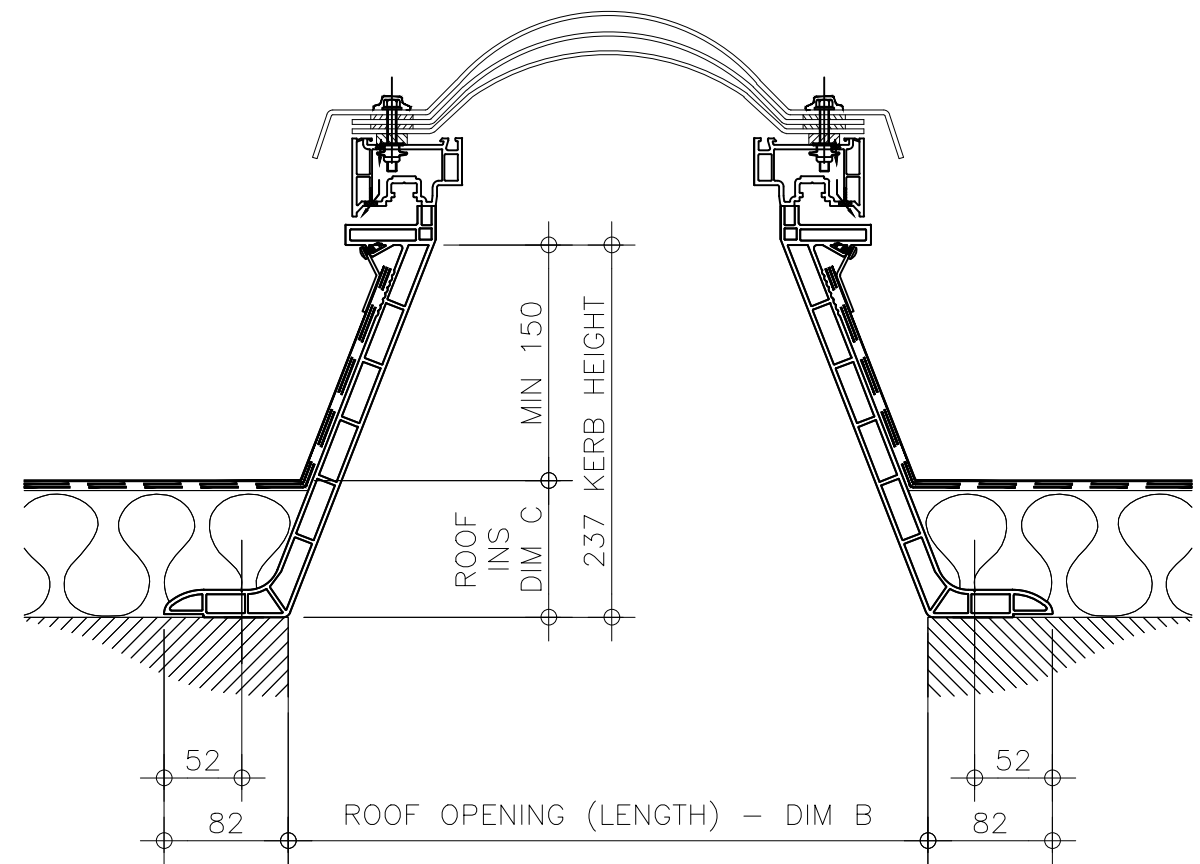


Kerb Specification:
 X2 kerb constructed from self finish white uPVC


Typical Glazing Specification:
 Outer - 3mm thick clear UV protected polycarbonate
 Mid - 2mm thick clear polycarbonate
 Inner - 3mm thick clear polycarbonate



SECTION A - A



SECTION B - B

REV:	DATE:	DESCRIPTION:	DRN BY	DESCRIPTION:				
0	19.12.13	New modular drawings released	IW	uPVC upstand fixed direct to roof complete with wormgear operated lifting frame and triple skin polycarbonate dome and standard security screws.				
DRAWN BY:		CREATION DATE:	CHECKED BY:	SCALE(S)	REVISION:			
IW		19-Dec-13	----	1:5 @ A3	0			
Xtralite (Rooflights) Limited Spencer Road, Blyth Industrial Estate, Blyth, Northumberland, NE24 5TG T:01670 354 157 F:01670 364 875 E:sales@xtralite.co.uk W:www.xtralite.co.uk								 DRG No. XT-X2-C-03-SS