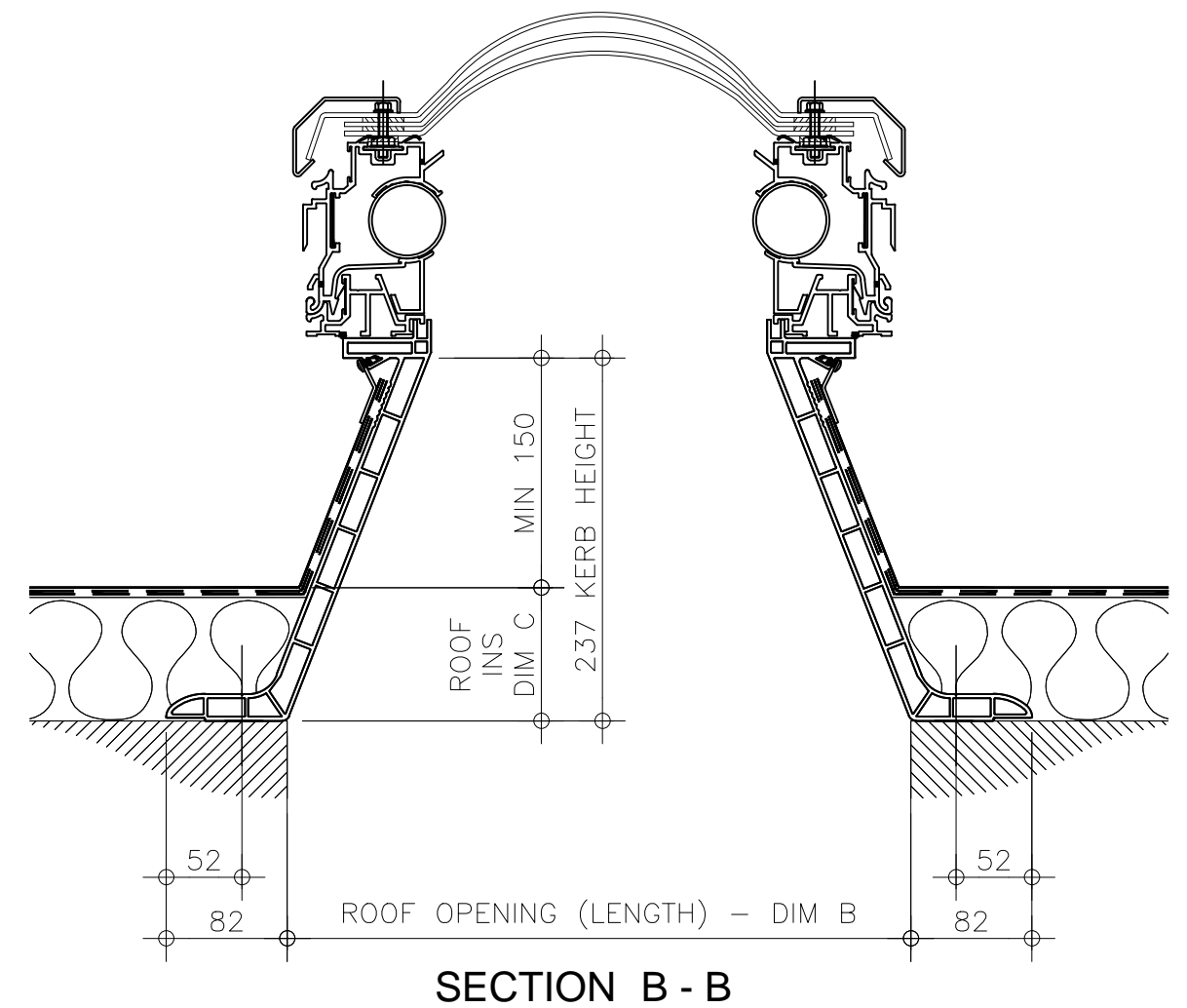
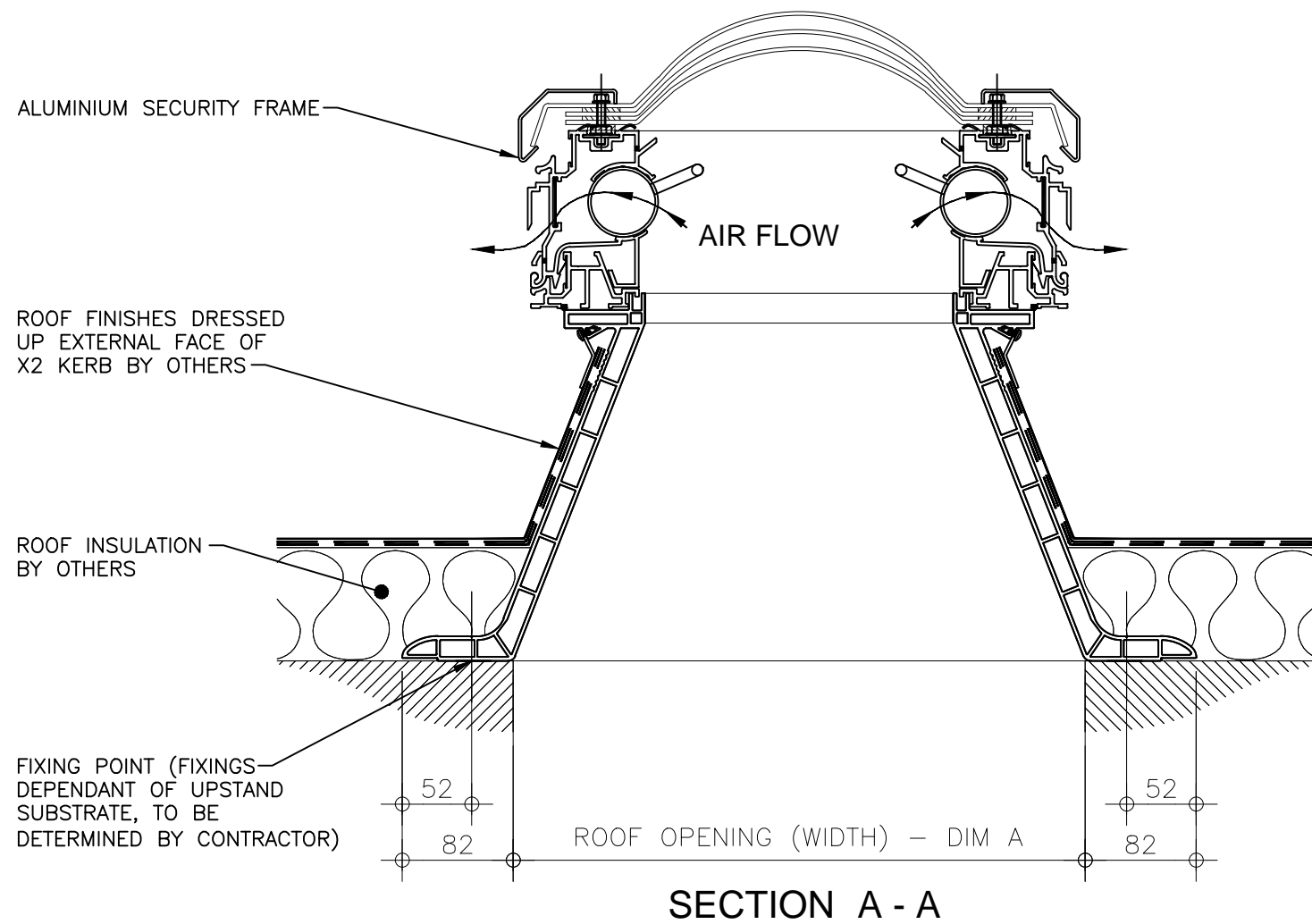



**Kerb Specification:**  
 X2 kerb constructed from self finish white uPVC

**Typical Glazing Specification:**  
 Outer - 3mm thick clear UV protected polycarbonate  
 Mid - 2mm thick clear polycarbonate  
 Inner - 3mm thick clear polycarbonate



| REV:  | DATE:    | DESCRIPTION:                  | DRN BY | DESCRIPTION:  |  |          |  |  |
|---|----------|-------------------------------|--------|---|--|----------|--|--|
| 0   | 19.12.13 | New modular drawings released | IW     | uPVC upstand fixed direct to roof complete with rotary ventilation and triple skin polycarbonate dome and security frame. |  |          |  |  |
| DRAWN BY:   |          | CREATION DATE:                |        | CHECKED BY:   |  | SCALE(S) |  | REVISION:  |
| IW  |          | 19-Dec-13                     |        | ----  |  | 1:5 @ A3 |  | 0  |
| <b>Xtralite (Rooflights) Limited</b><br>Spencer Road, Blyth Industrial Estate, Blyth, Northumberland, NE24 5TG<br>T:01670 354 157 F:01670 364 875 E:sales@xtralite.co.uk W:www.xtralite.co.uk |          |                               |        |   |  |          |  | <br>DRG No.<br><b>XT-X2-C-02-SF</b> |