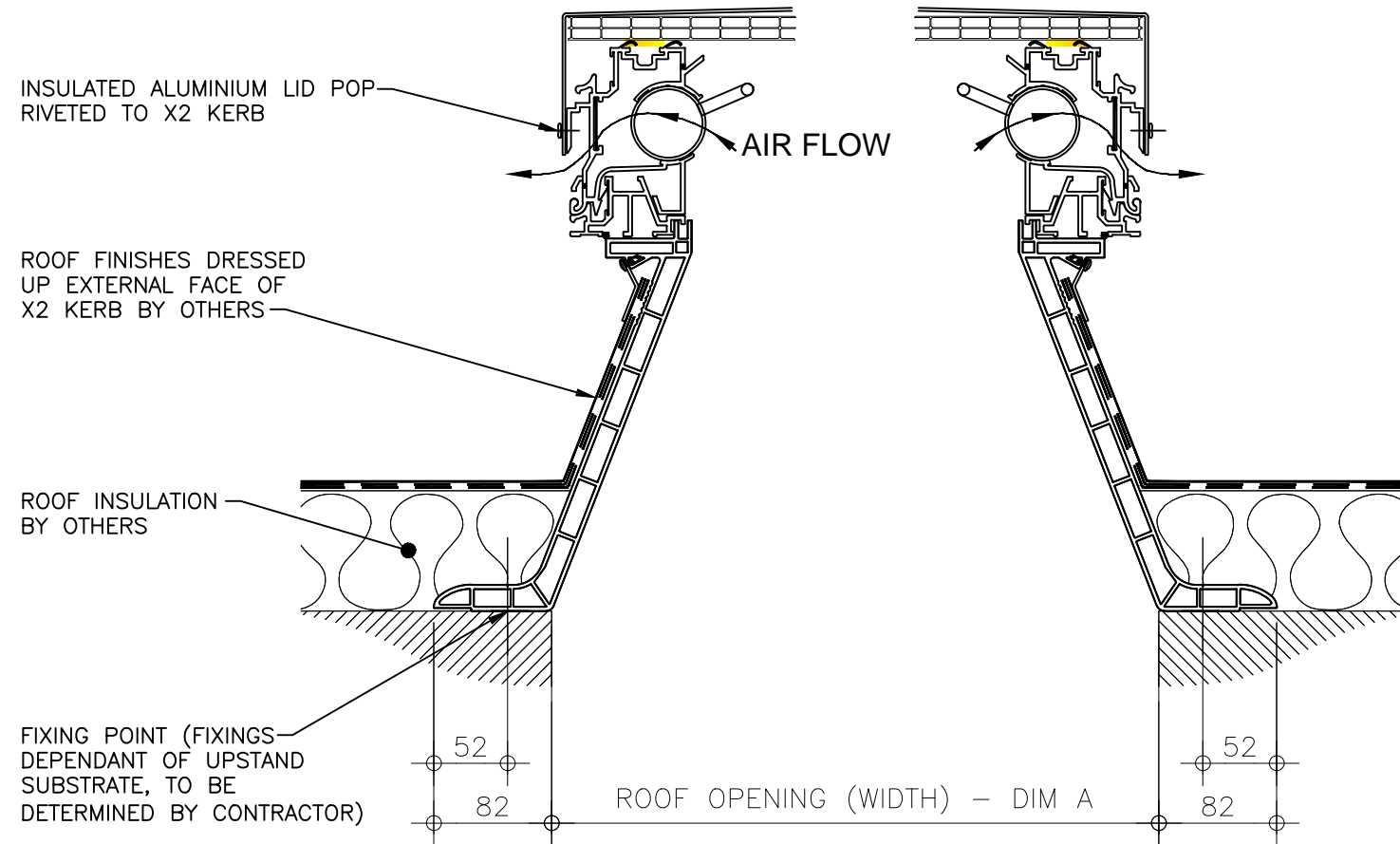
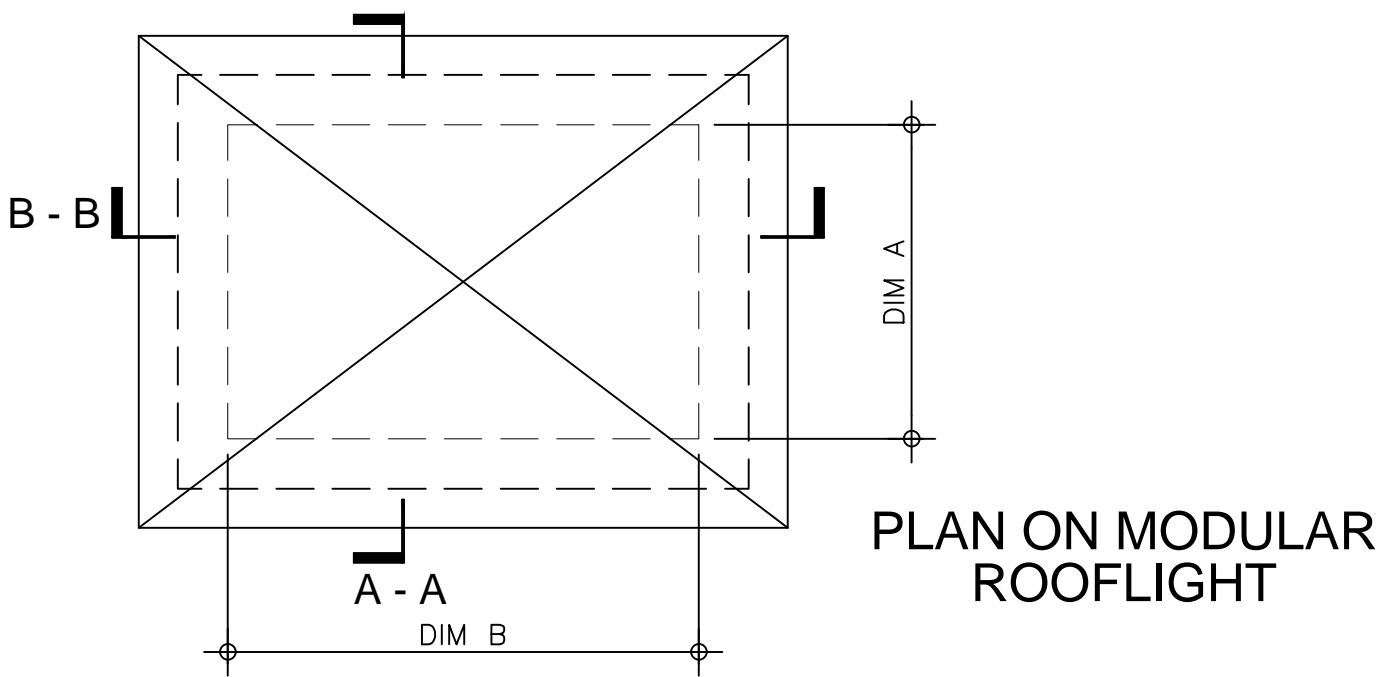
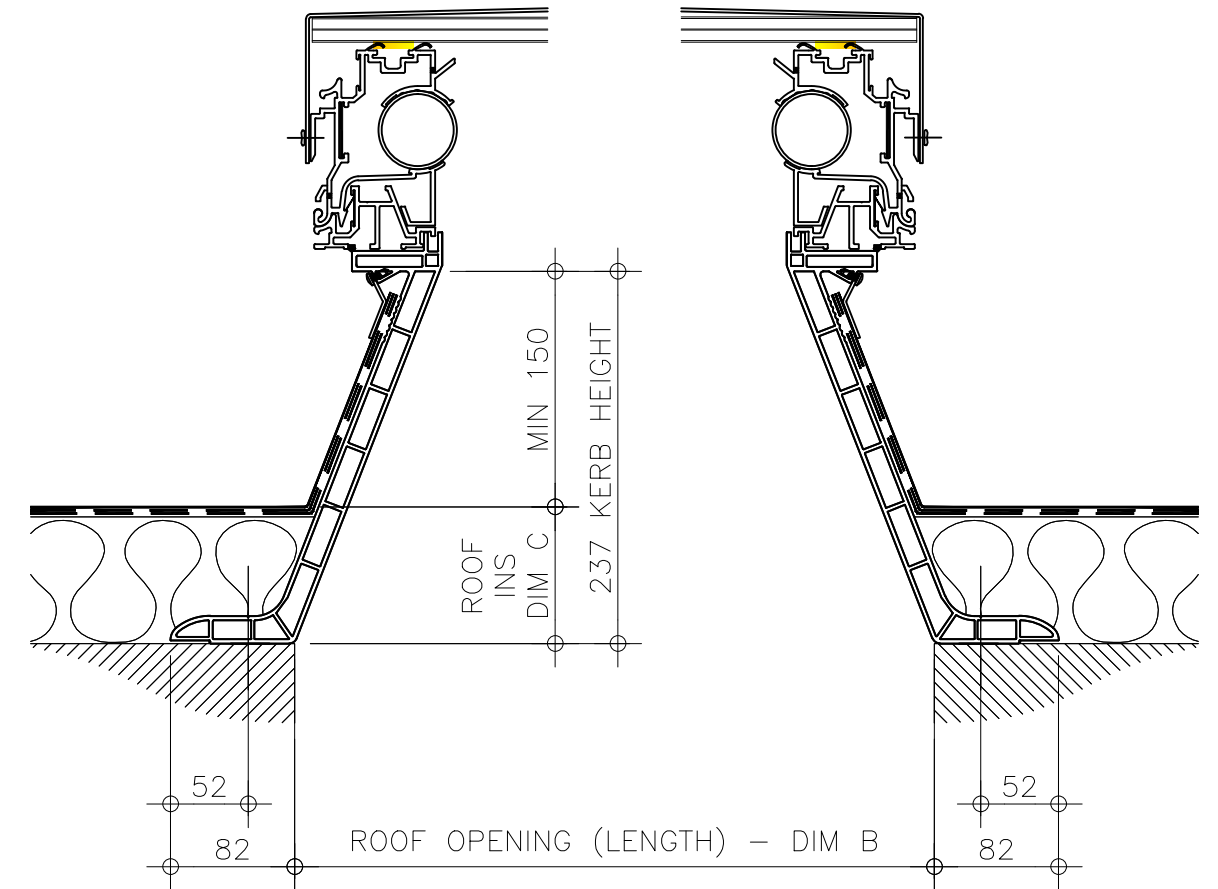


Kerb Specification:
 X2 kerb constructed from self finish white uPVC

Typical Glazing Specification:
 2mm thick polyester powder coated aluminium with 16mm structured polycarbonate internal liner



SECTION A - A



SECTION B - B

REV:	DATE:	DESCRIPTION:	DRN BY	DESCRIPTION:				
0	19.12.13	New modular drawings released	IW	uPVC upstand fixed direct to roof complete with rotary ventilation and insulated solid lid (aluminium).				
DRAWN BY:		CREATION DATE:		CHECKED BY:		SCALE(S)		REVISION:
IW		19-Dec-13		----		1:5 @ A3		0
Xtralite (Rooflights) Limited Spencer Road, Blyth Industrial Estate, Blyth, Northumberland, NE24 5TG T:01670 354 157 F:01670 364 875 E:sales@xtralite.co.uk W:www.xtralite.co.uk								DRG No. XT-X2-C-02-ISL

