

**Kerb Specification:**  
 X2 kerb constructed from self finish white uPVC

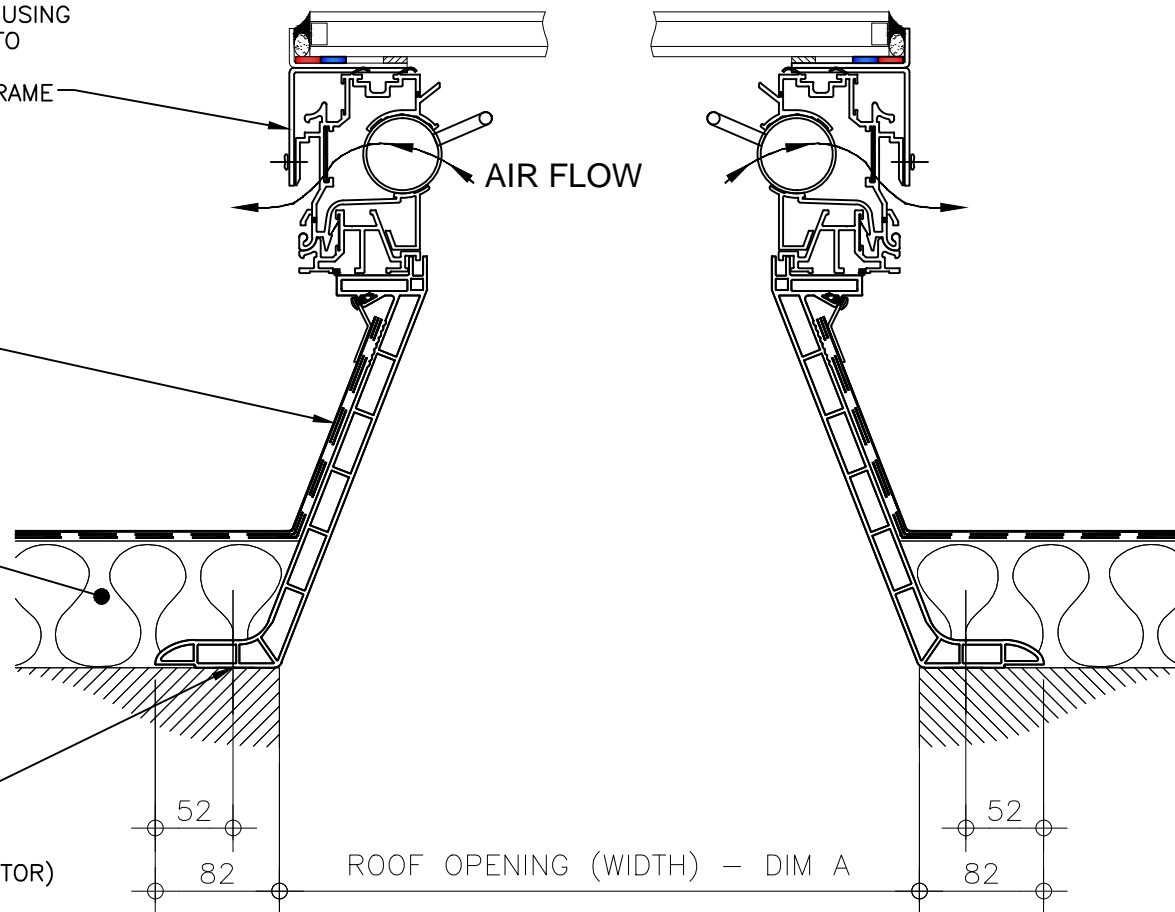
**Typical Glazing Specification:**  
 Outer - 6mm thick clear toughened glass  
 Core - 16mm thick air filled cavity  
 Inner - 6.4mm thick clear laminated low 'E' glass

ALUMINIUM TEE SECTION USING BACK TO BACK ANGLES TO FULL PERIMETER, GLASS SILICONE SEALED INTO FRAME

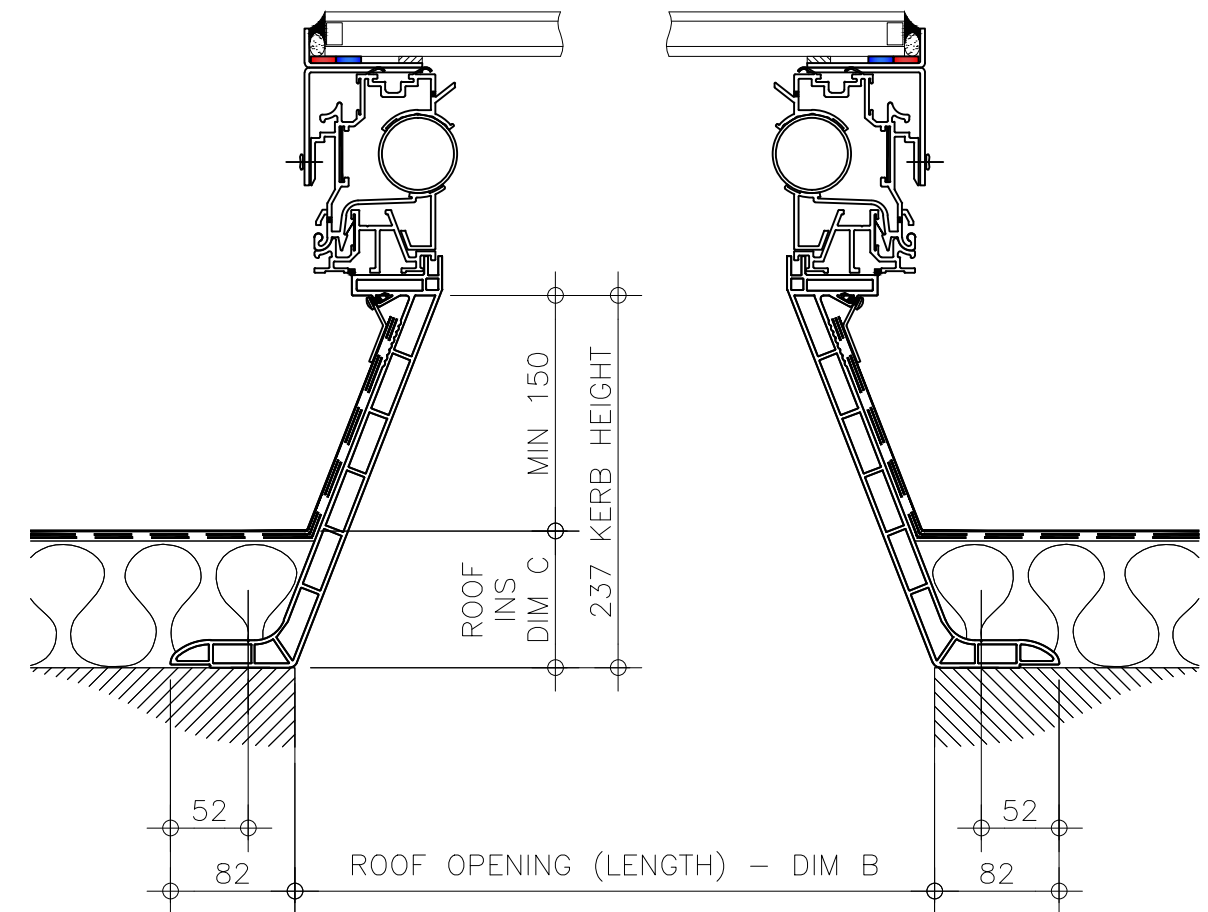
ROOF FINISHES DRESSED UP EXTERNAL FACE OF X2 KERB BY OTHERS

ROOF INSULATION BY OTHERS


FIXING POINT (FIXINGS DEPENDANT OF UPSTAND SUBSTRATE, TO BE DETERMINED BY CONTRACTOR)



SECTION A - A



SECTION B - B

REV: 0	DATE: 19.12.13	DESCRIPTION: New modular drawings released	DRN BY IW	DESCRIPTION: uPVC upstand fixed direct to roof complete with rotary ventilation and flat double glazed glass lid.					 DRG No. XT-X2-C-02-IGLF
				DRAWN BY: IW	CREATION DATE: 19-Dec-13	CHECKED BY: ----	SCALE(S) 1:5 @ A3	REVISION: 0	
				<i>Xtralite (Rooflights) Limited</i> Spencer Road, Blyth Industrial Estate, Blyth, Northumberland, NE24 5TG T:01670 354 157 F:01670 364 875 E:sales@xtralite.co.uk W:www.xtralite.co.uk					