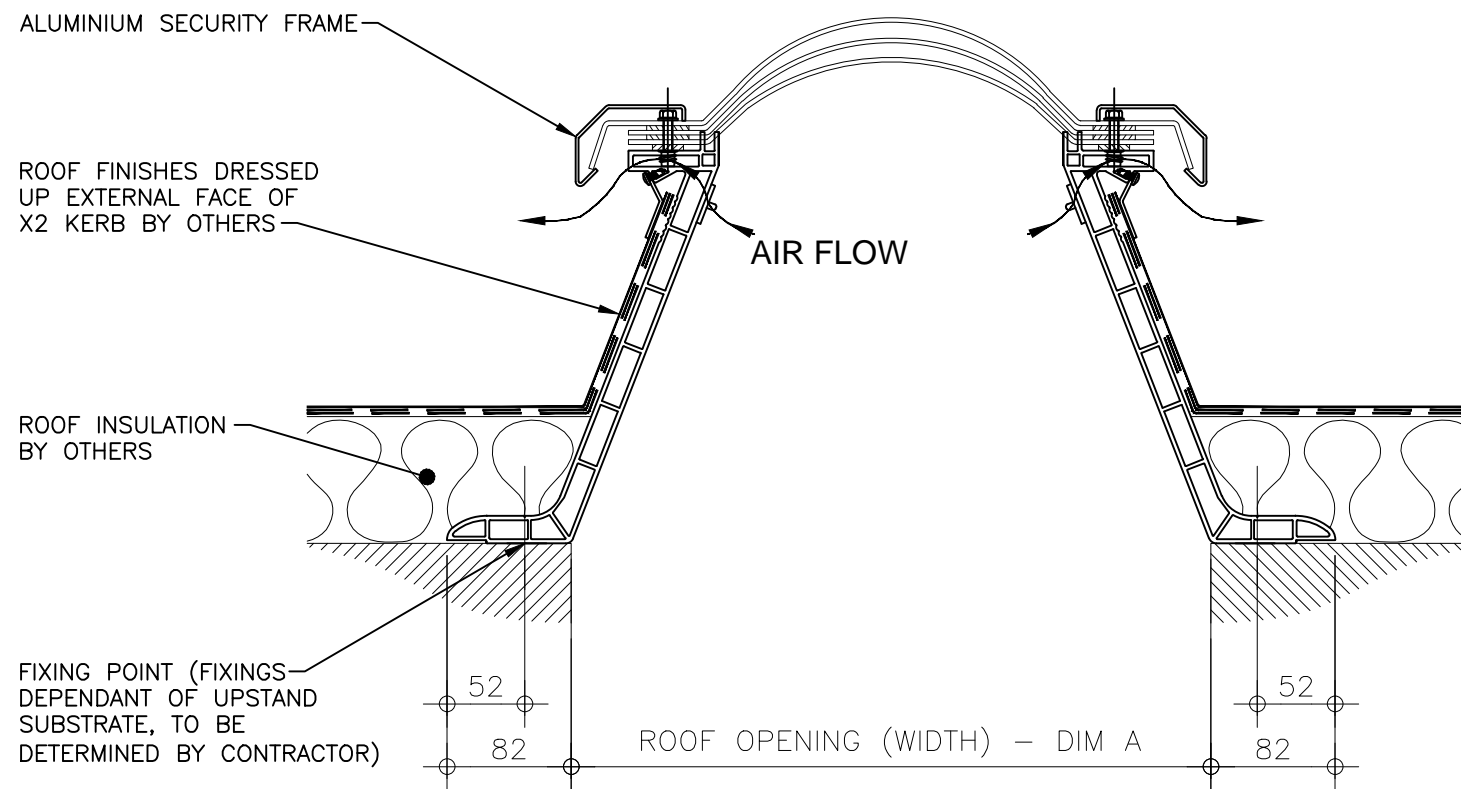
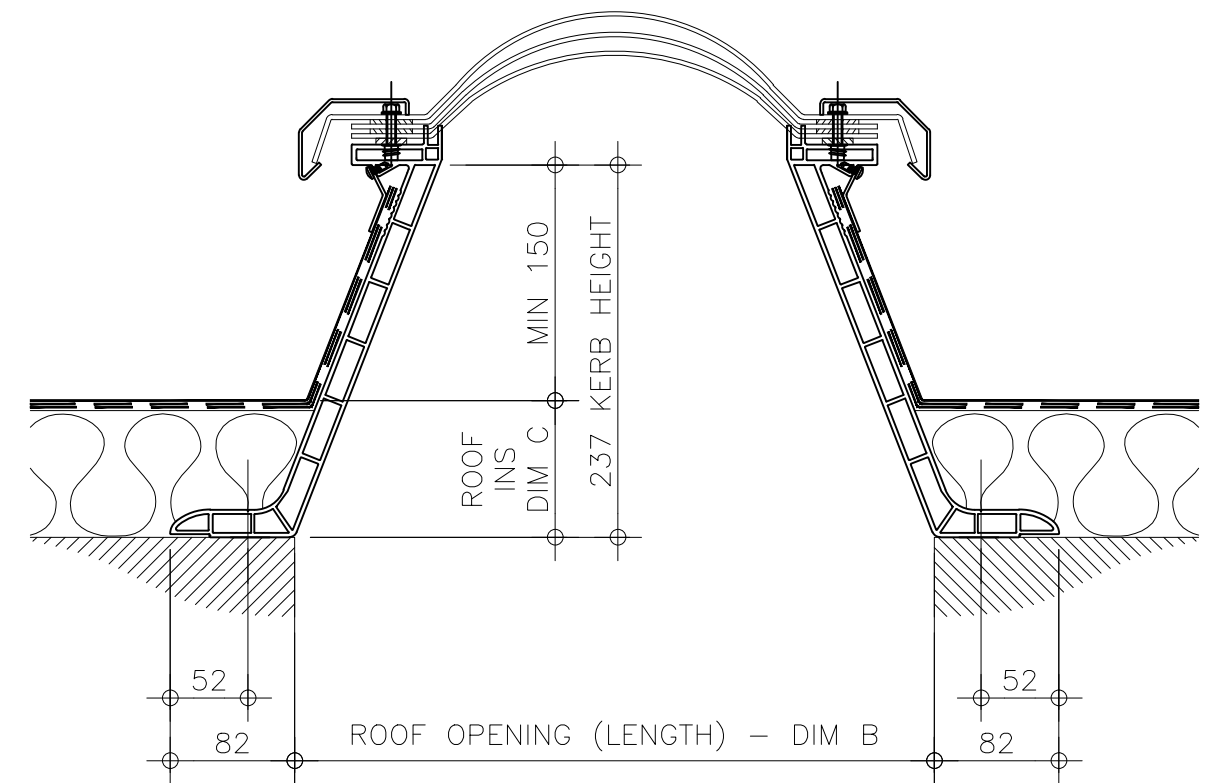


Kerb Specification:
 X2 kerb constructed from self finish white uPVC

Typical Glazing Specification:
 Outer - 3mm thick clear UV protected polycarbonate
 Mid - 2mm thick clear polycarbonate
 Inner - 3mm thick clear polycarbonate



SECTION A - A



SECTION B - B

REV: 0	DATE: 19.12.13	DESCRIPTION: New modular drawings released	DRN BY IW	DESCRIPTION: Hit & Miss Ventilated uPVC upstand fixed direct to roof with triple skin polycarbonate dome and security frame.					 DRG No. XT-X2-C-01-SF
				DRAWN BY: IW	CREATION DATE: 19-Dec-13	CHECKED BY: ----	SCALE(S) 1:5 @ A3	REVISION: 0	
				<i>Xtralite (Rooflights) Limited</i> Spencer Road, Blyth Industrial Estate, Blyth, Northumberland, NE24 5TG T:01670 354 157 F:01670 364 875 E:sales@xtralite.co.uk W:www.xtralite.co.uk					