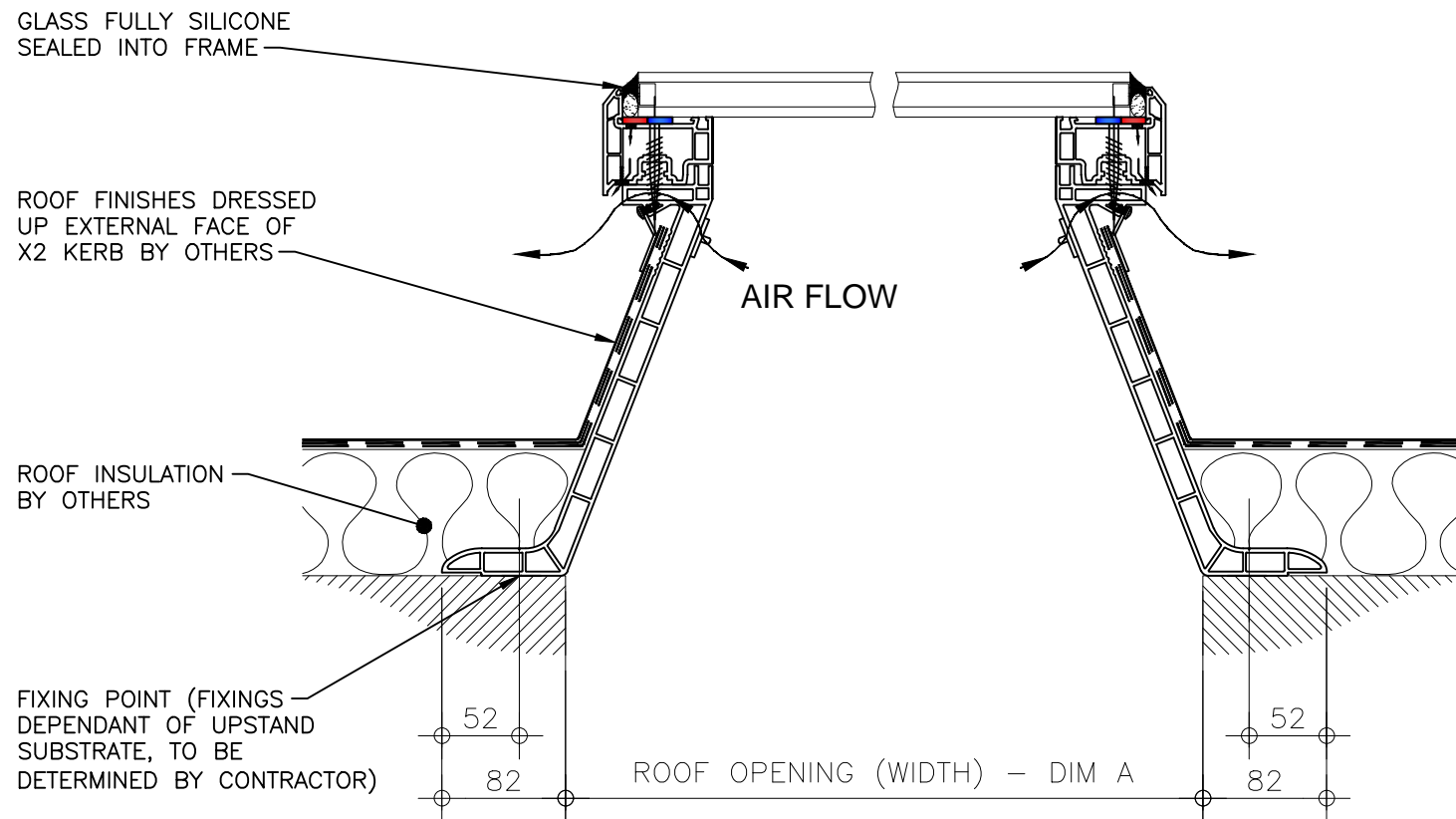
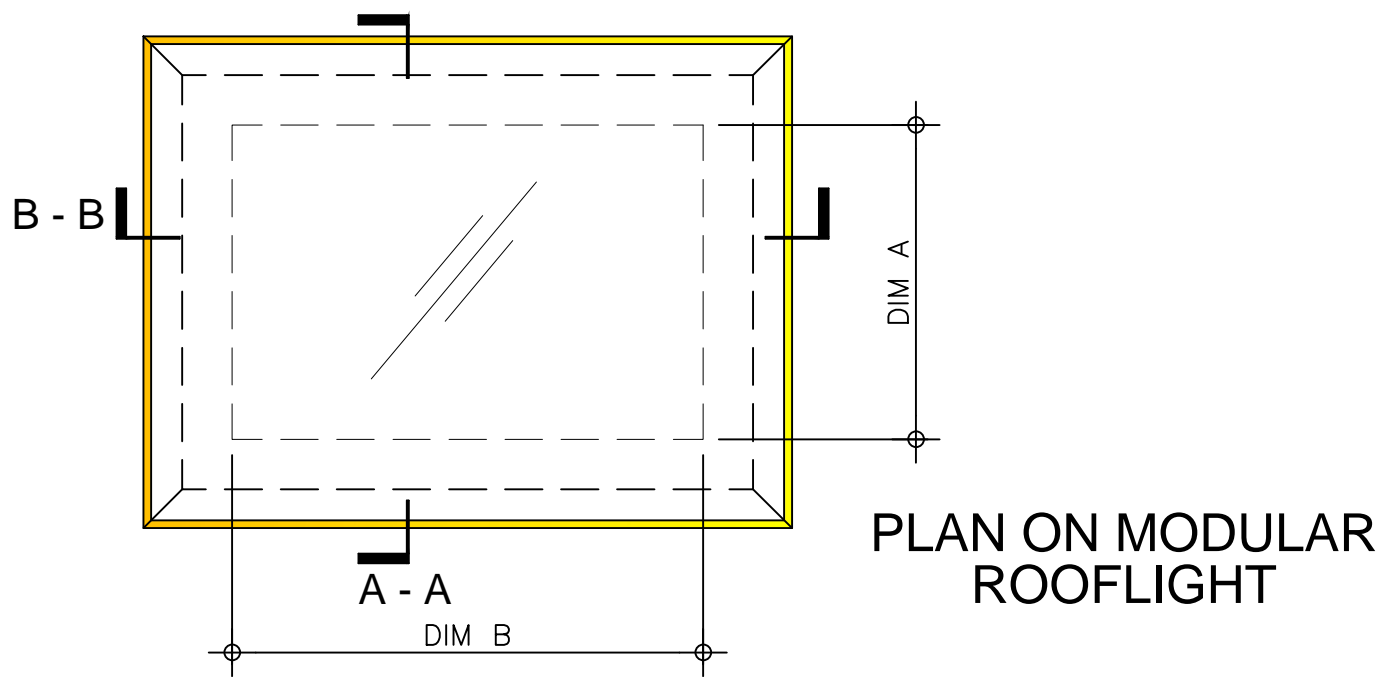
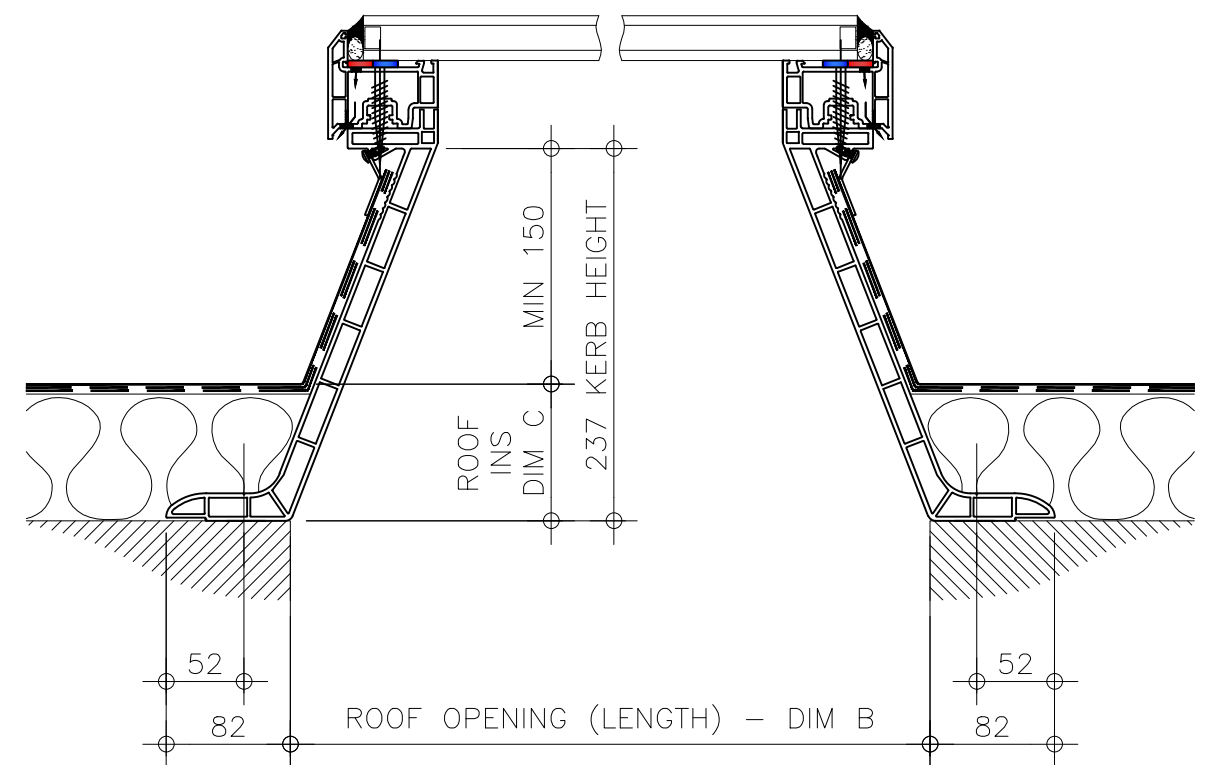


Kerb Specification:  
 X2 kerb constructed from self finish white uPVC


Typical Glazing Specification:  
 Outer - 6mm thick clear toughened glass  
 Core - 16mm thick air filled cavity  
 Inner - 6.4mm thick clear laminated low 'E' glass



**SECTION A - A**



**SECTION B - B**

| REV:  | DATE:    | DESCRIPTION:                  | DRN BY      | DESCRIPTION:   |           |  |  |   |
|---|----------|-------------------------------|-------------|--|-----------|--|--|---|
| 0   | 19.12.13 | New modular drawings released | IW          | Hit & Miss Ventilated uPVC upstand fixed direct to roof with flat double glazed glass lid. |           |  |  |   |
| DRAWN BY:   |          | CREATION DATE:                | CHECKED BY: | SCALE(S)   | REVISION: |  |  |   |
| IW  |          | 19-Dec-13                     | ----        | 1:5 @ A3   | 0         |  |  |   |
| <b>Xtralite (Rooflights) Limited</b><br>Spencer Road, Blyth Industrial Estate, Blyth, Northumberland, NE24 5TG<br>T:01670 354 157 F:01670 364 875 E:sales@xtralite.co.uk W:www.xtralite.co.uk |          |                               |             |  |           |  |  | <br>DRG No.<br>XT-X2-C-01-IGLF |