

Kerb Specification:
 X2 kerb constructed from self finish white uPVC

Typical Glazing Specification:
 Outer - 3mm thick clear UV protected polycarbonate
 Mid - 2mm thick clear polycarbonate
 Inner - 3mm thick clear polycarbonate

GLASS FULLY SILICONE SEALED INTO FRAME

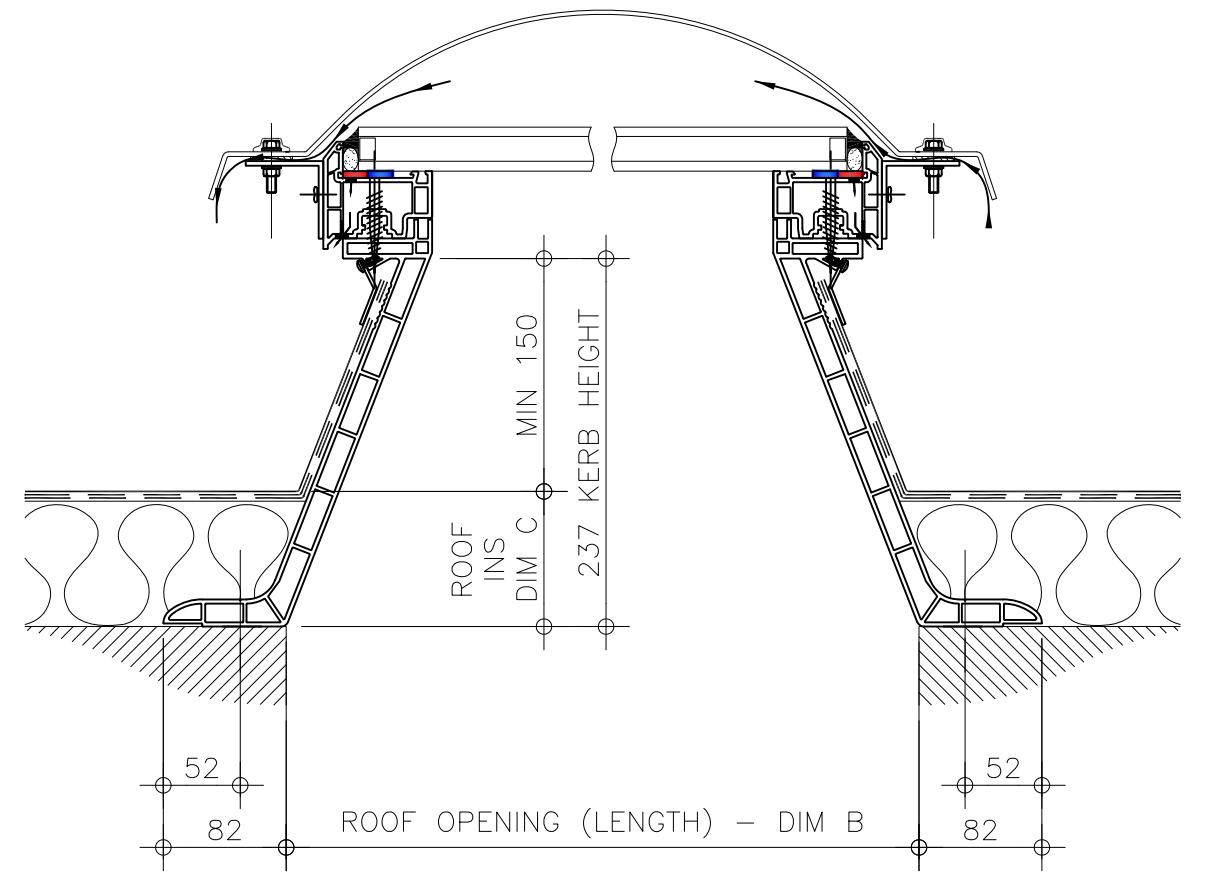
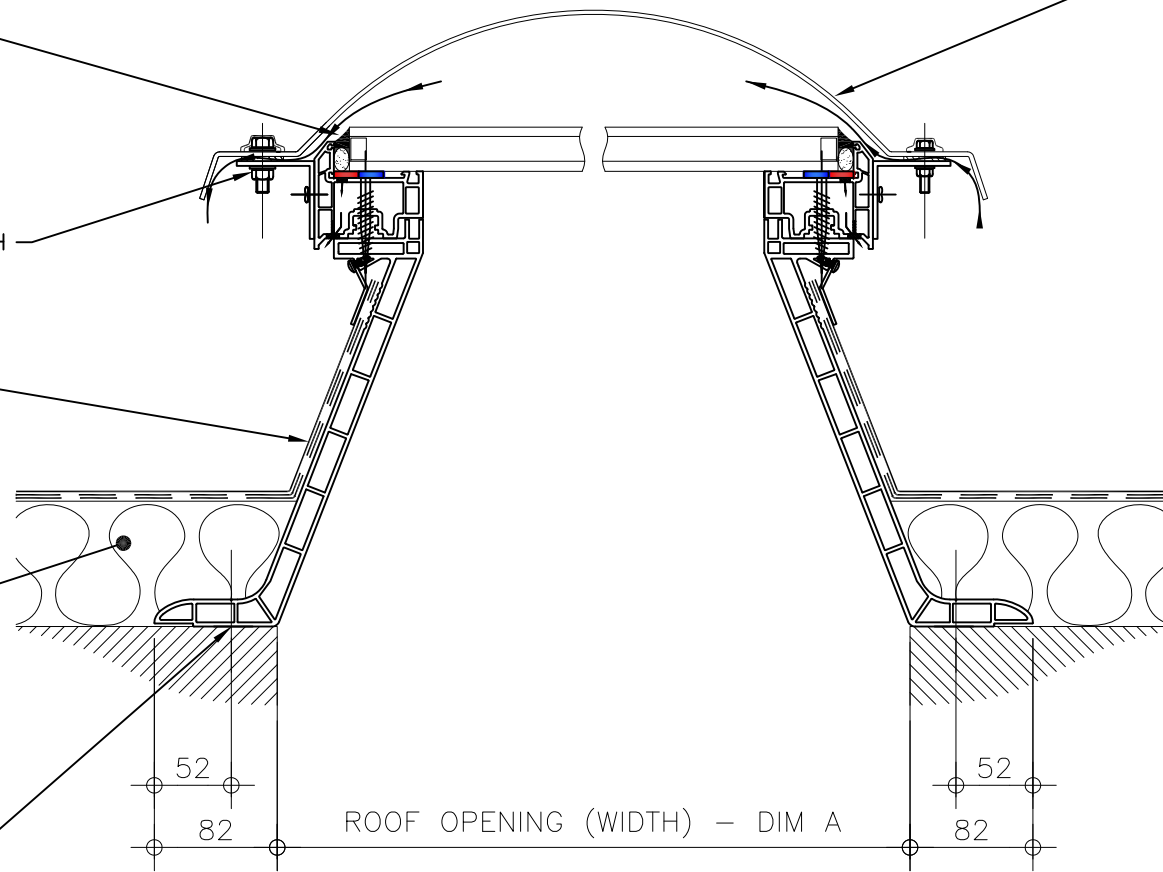
M8 BOLTS COMPLETE WITH COVER CAPS


ROOF FINISHES DRESSED UP EXTERNAL FACE OF X2 KERB BY OTHERS

ROOF INSULATION BY OTHERS

FIXING POINT (FIXINGS DEPENDANT OF UPSTAND SUBSTRATE, TO BE DETERMINED BY CONTRACTOR)

DOMES SITS ONTO VACCA WASHERS TO ALLOW CONTINUOUS VENTILATION BETWEEN SINGLE SKIN DOME AND GLASS



REV:	DATE:	DESCRIPTION:	DRN BY	DESCRIPTION:
0	04.02.14	Drawing added to set	DL	Unventilated uPVC upstand fixed direct to roof with double glazed glass lid, and single skin polycarbonate dome, fixed using standard security screws.
		DRAWN BY:	CREATION DATE:	CHECKED BY:
		DL	4-Feb-14	----
		SCALE(S)		REVISION:
		1:5 @ A3		0
				Xtralite (Rooflights) Limited
				Spencer Road, Blyth Industrial Estate, Blyth, Northumberland, NE24 5TG
				T:01670 354 157 F:01670 364 875 E:sales@xtralite.co.uk W:www.xtralite.co.uk
				
				DRG No.
				XT-X2-C-00-IGL-DM1-SS