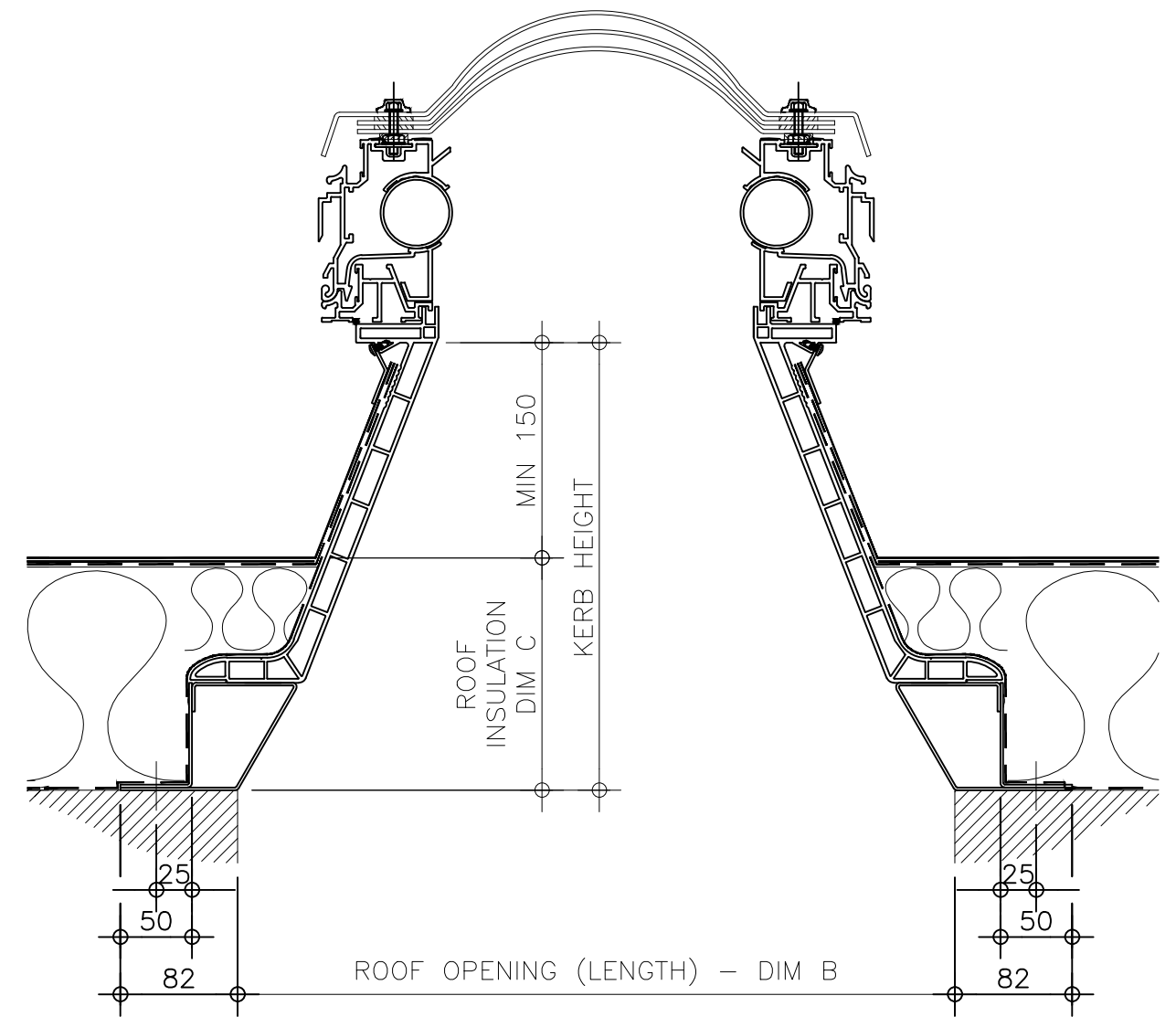
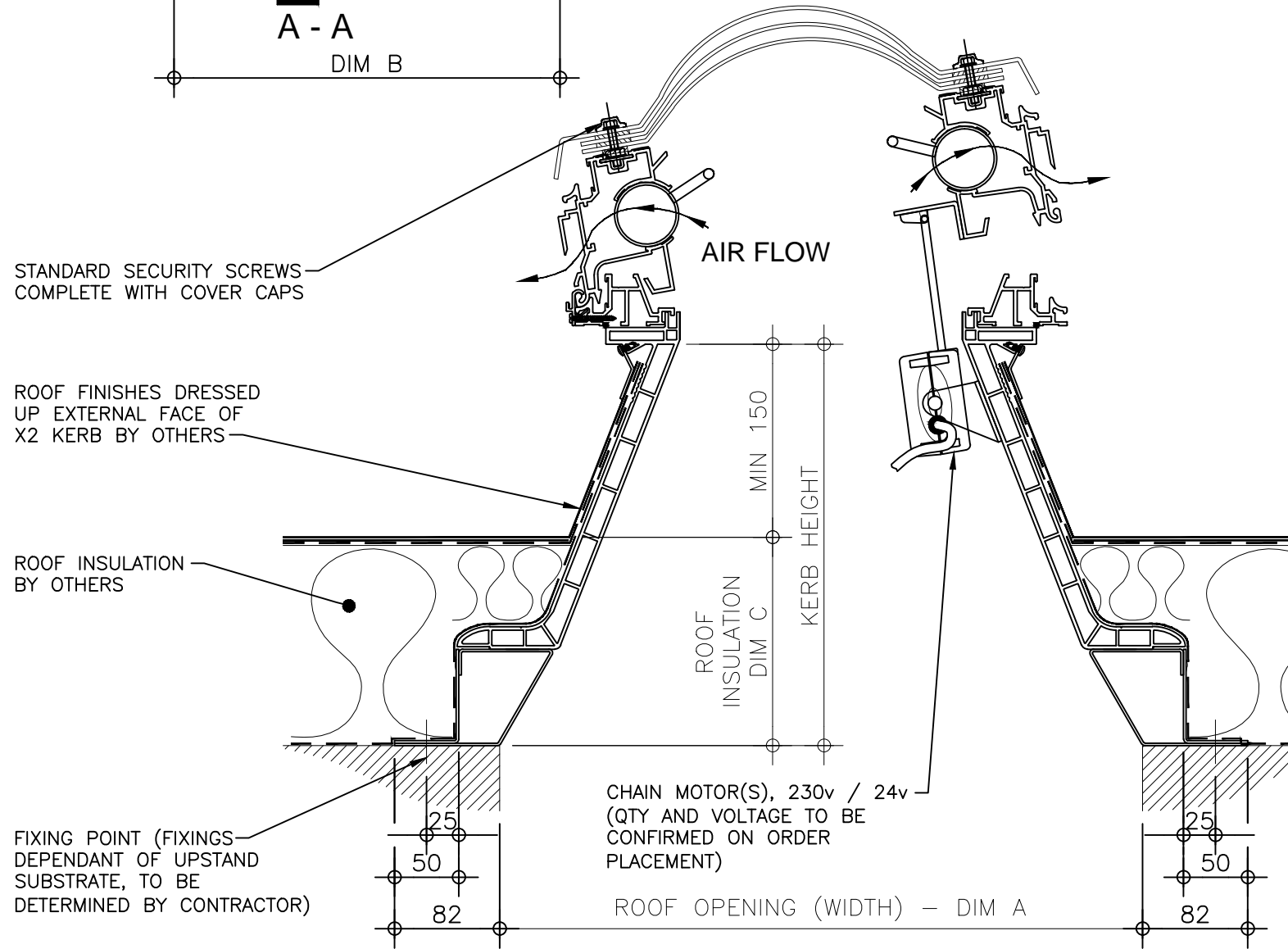


Kerb Specification:
 X2 kerb constructed from self finish white uPVC

Typical Glazing Specification:
 Outer - 3mm thick clear UV protected polycarbonate
 Mid - 2mm thick clear polycarbonate
 Inner - 3mm thick clear polycarbonate



REV:	DATE:	DESCRIPTION:	DRN BY	DESCRIPTION:
0	23.12.13	New modular drawings released	IW	uPVC upstand with flexible base kerb, fixed direct to roof complete with rotary ventilation, electrically operated (chain motor) lifting frame and triple skin polycarbonate dome and standard security screws.
		DRAWN BY:	CREATION DATE:	CHECKED BY:
		IW	23-Dec-13	DL
		SCALE(S)		REVISION:
		1:5 @ A3		0
				Xtralite (Rooflights) Limited
				Spencer Road, Blyth Industrial Estate, Blyth, Northumberland, NE24 5TG
				T:01670 354 157 F:01670 364 875 E:sales@xtralite.co.uk W:www.xtralite.co.uk

Xtralite ROOFLIGHTS

DRG No.
 XT-X1-A-0602-SS