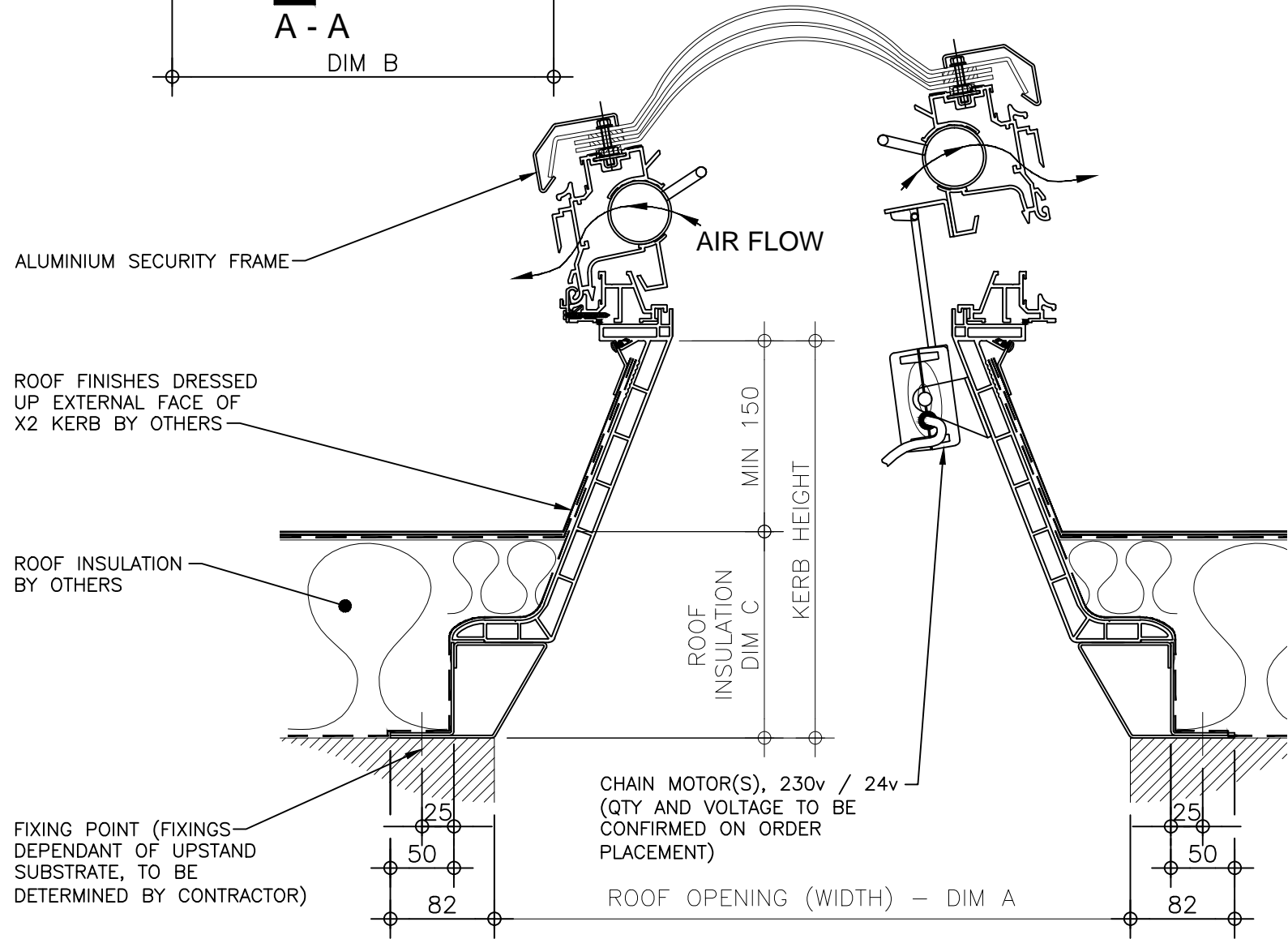
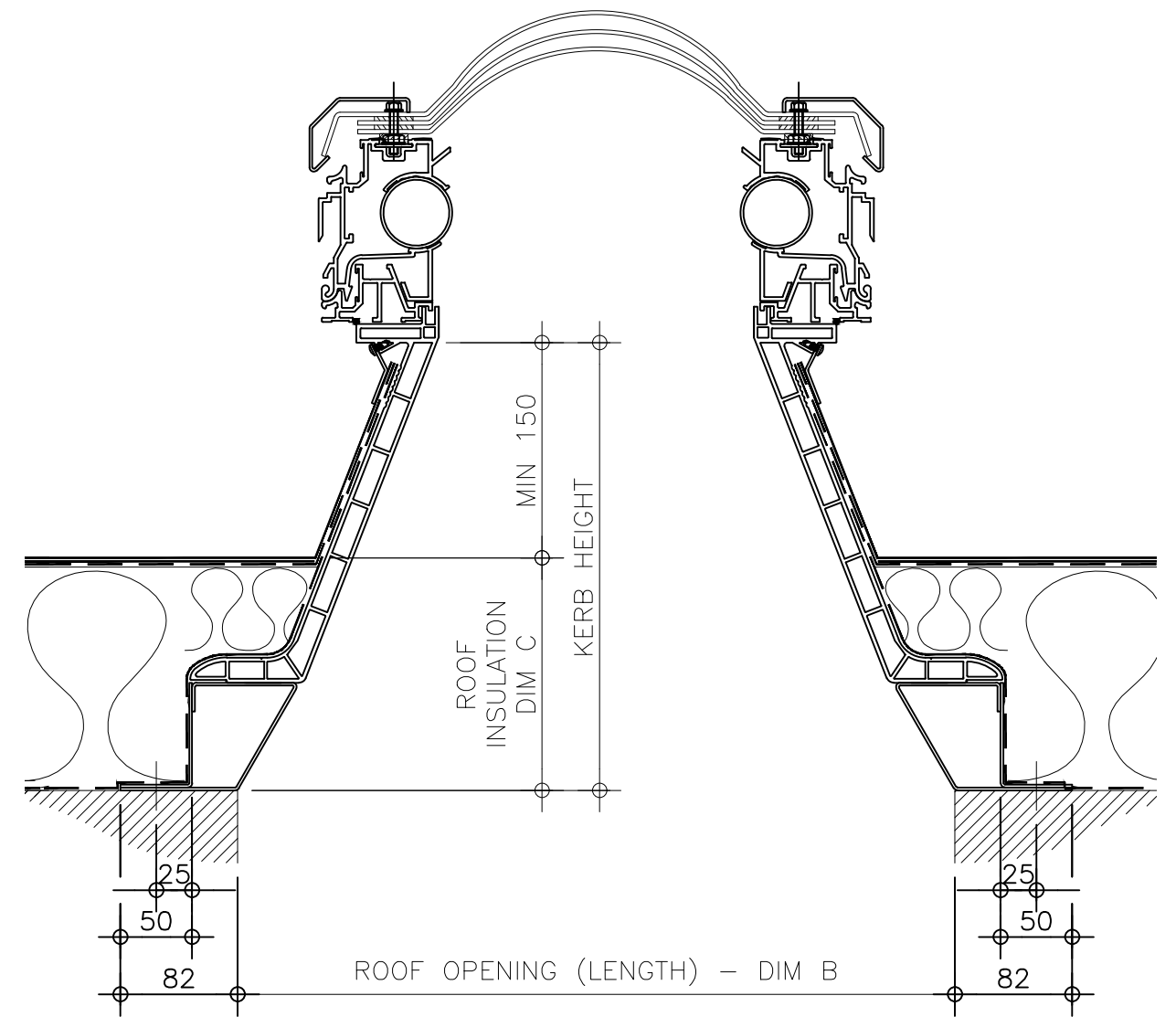


**Kerb Specification:**  
 X2 kerb constructed from self finish white uPVC


**Typical Glazing Specification:**  
 Outer - 3mm thick clear UV protected polycarbonate  
 Mid - 2mm thick clear polycarbonate  
 Inner - 3mm thick clear polycarbonate



**SECTION A - A**



**SECTION B - B**

REV:	DATE:	DESCRIPTION:	DRN BY:	DESCRIPTION:				
0	23.12.13	New modular drawings released	IW	uPVC upstand with flexible base kerb, fixed direct to roof complete with rotary ventilation, electrically operated (chain motor) lifting frame and triple skin polycarbonate dome and security frame.				
DRAWN BY:		CREATION DATE:	CHECKED BY:	SCALE(S)	REVISION:			
IW		23-Dec-13	DL	1:5 @ A3	0		DRG No.	
<b>Xtralite (Rooflights) Limited</b> Spencer Road, Blyth Industrial Estate, Blyth, Northumberland, NE24 5TG T:01670 354 157 F:01670 364 875 E:sales@xtralite.co.uk W:www.xtralite.co.uk							<b>XT-X1-A-0602-SF</b>	