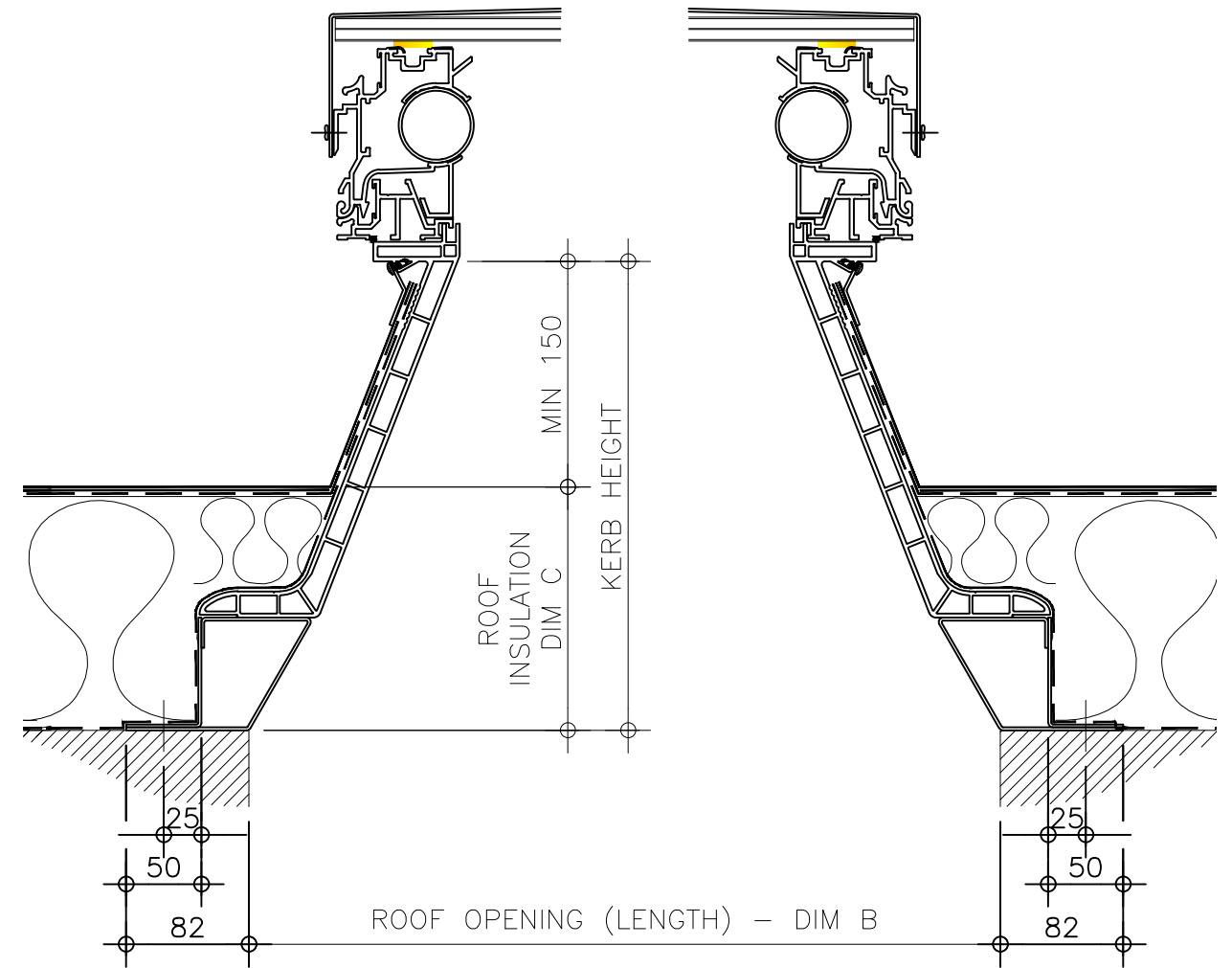
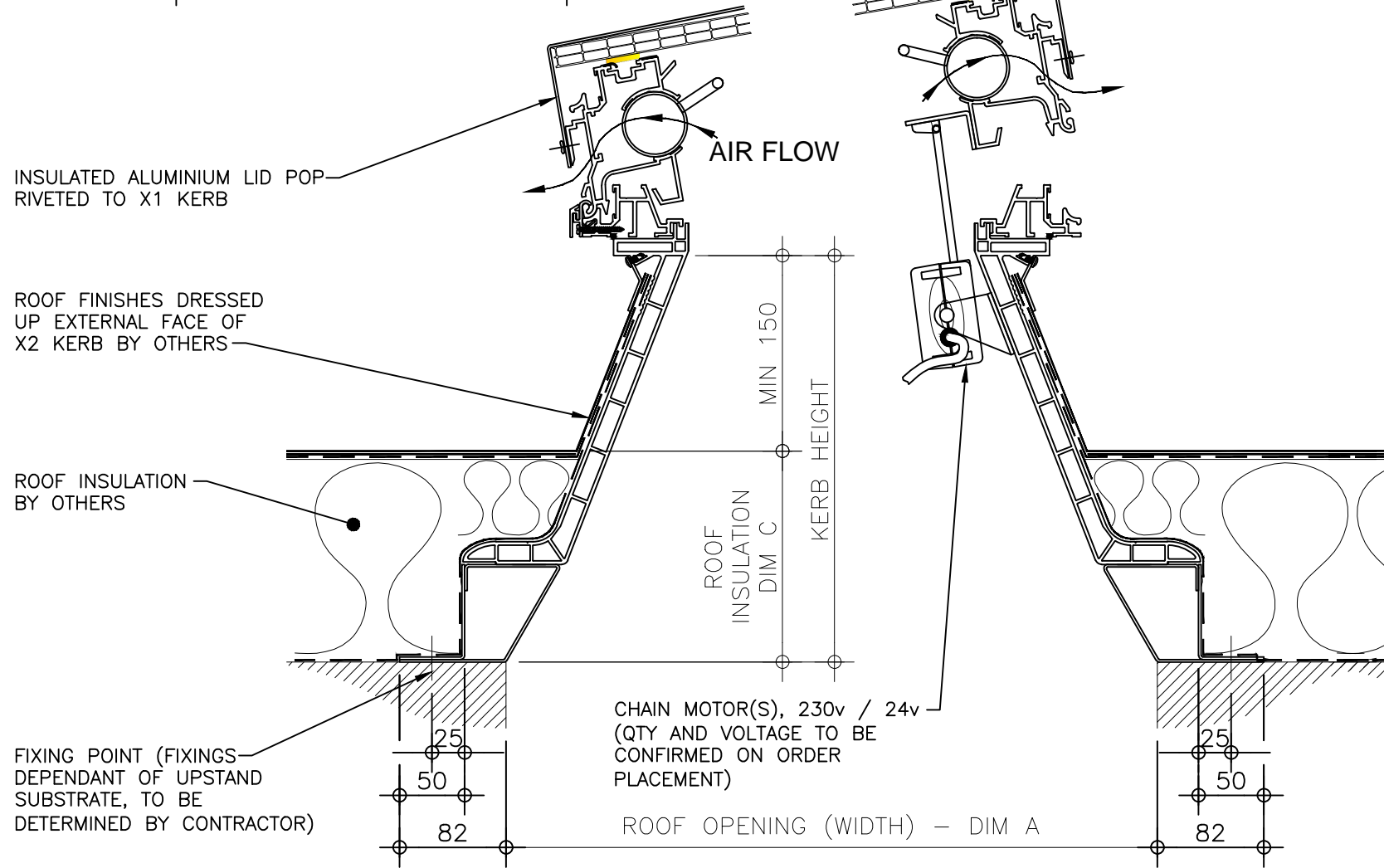
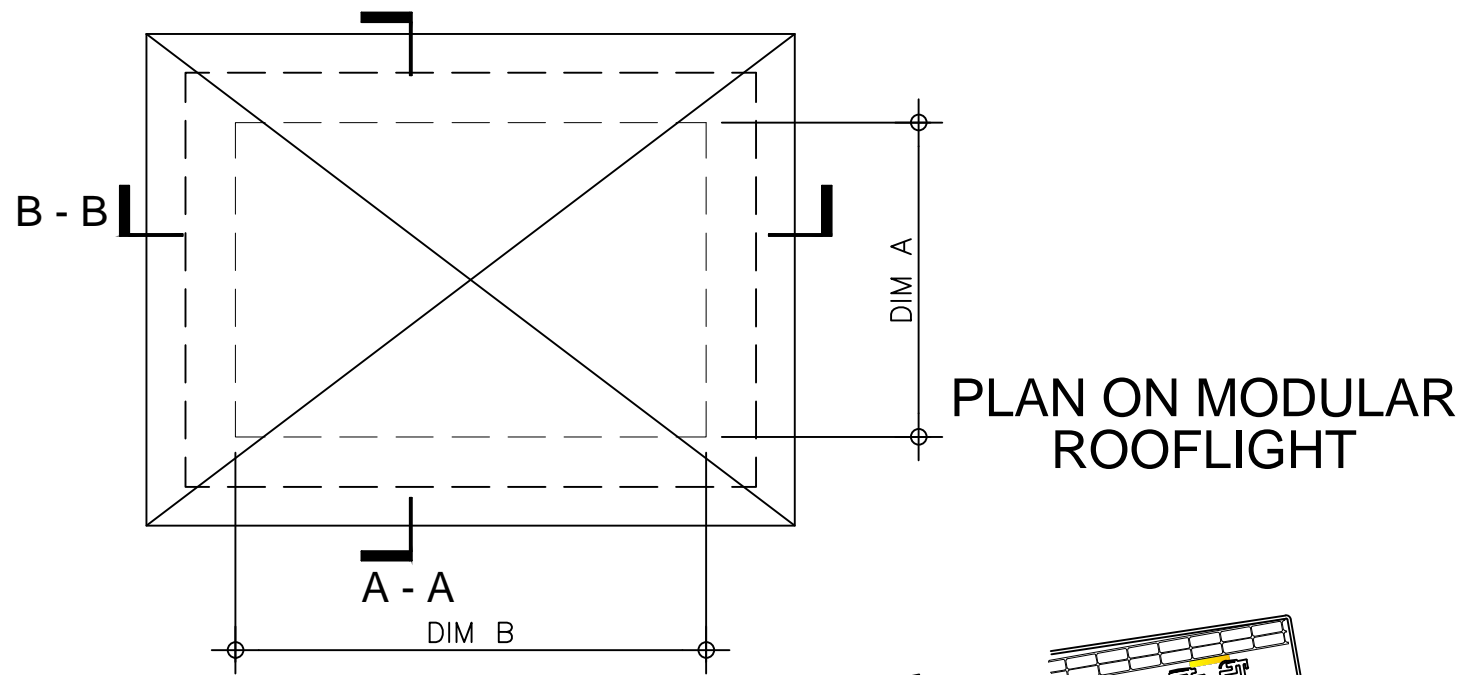


**Kerb Specification:**  
 X2 kerb constructed from self finish white uPVC

**Typical Glazing Specification:**  
 2mm thick polyester powder coated aluminium with 16mm structured polycarbonate internal liner



**SECTION A - A**

**SECTION B - B**

REV: 0	DATE: 23.12.13	DESCRIPTION: New modular drawings released	DRN BY IW	DESCRIPTION: uPVC upstand with flexible base kerb, fixed direct to roof complete with rotary ventilation, electrically operated (chain motor) lifting frame and insulated solid lid (aluminium).					 DRG No. XT-X1-A-0602-ISL
				DRAWN BY: IW	CREATION DATE: 23-Dec-13	CHECKED BY: DL	SCALE(S) 1:5 @ A3	REVISION: 0	
				<b>Xtralite (Rooflights) Limited</b> Spencer Road, Blyth Industrial Estate, Blyth, Northumberland, NE24 5TG T:01670 354 157 F:01670 364 875 E:sales@xtralite.co.uk W:www.xtralite.co.uk					