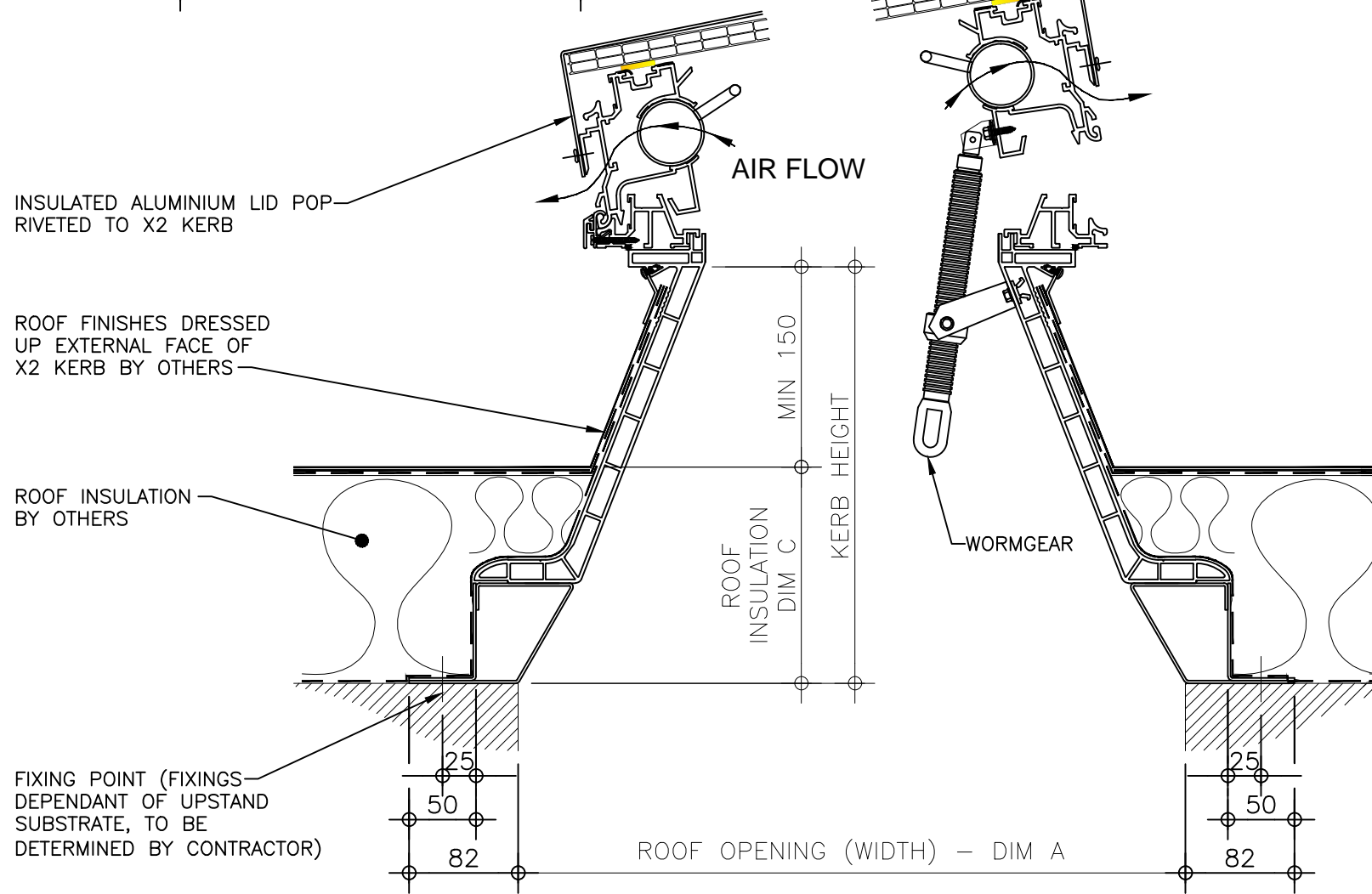
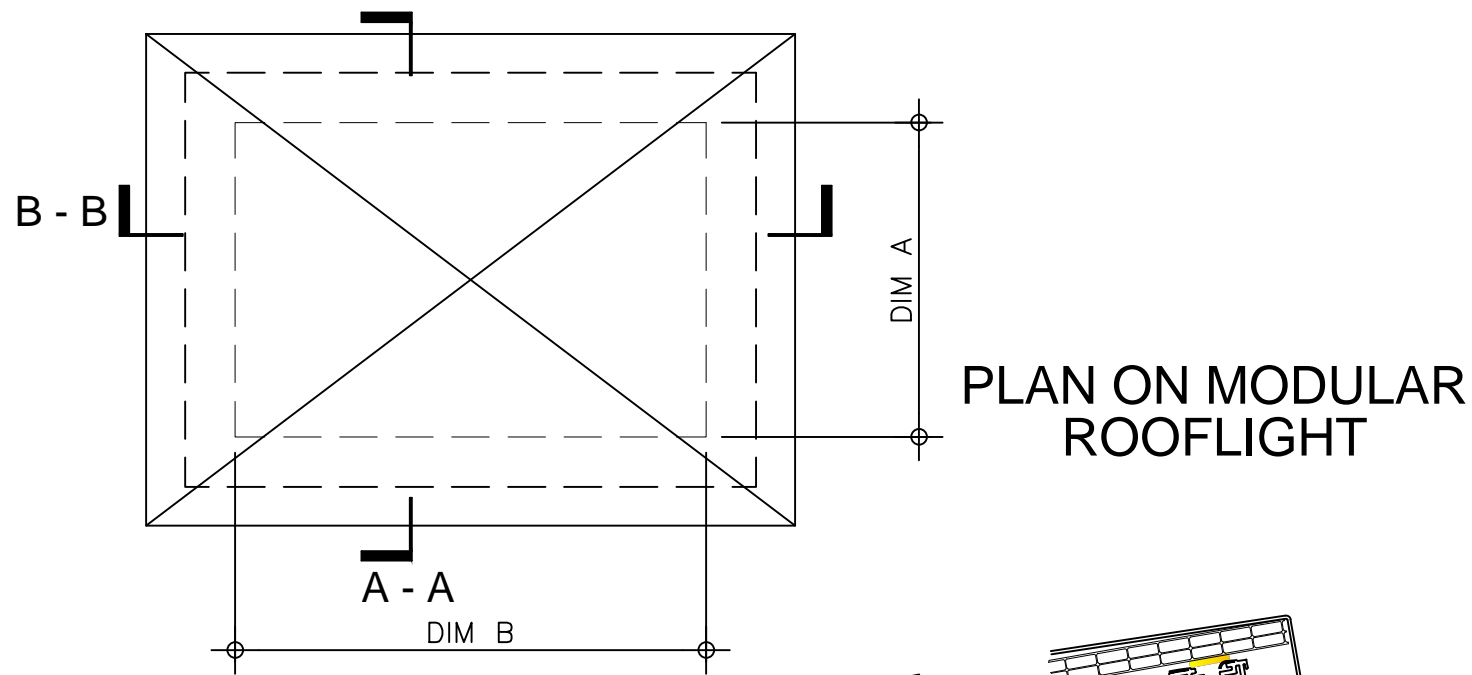
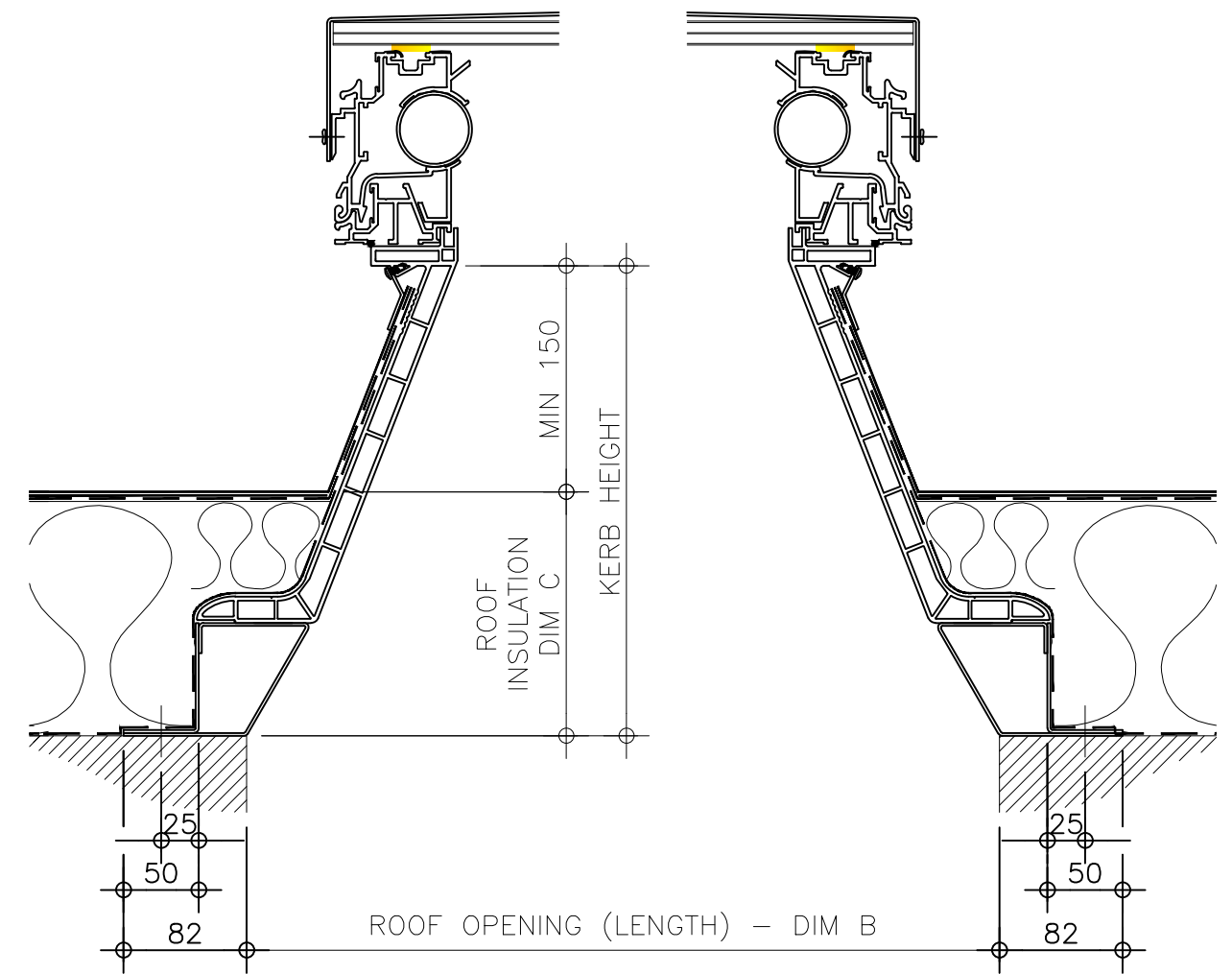


Kerb Specification:
 X2 kerb constructed from self finish white uPVC


Typical Glazing Specification:
 2mm thick polyester powder coated aluminium with 16mm structured polycarbonate internal liner



SECTION A - A



SECTION B - B

REV:	DATE:	DESCRIPTION:	DRN BY:	DESCRIPTION:				
0	23.12.13	New modular drawings released	IW	Rotary & Wormgear ventilated uPVC upstand with flexible base kerb, fixed direct to roof with insulated solid lid (aluminium).				
				DRAWN BY:	CREATION DATE:	CHECKED BY:	SCALE(S)	
				IW	23-Dec-13	DL	1:5 @ A3	0
Xtralite (Rooflights) Limited Spencer Road, Blyth Industrial Estate, Blyth, Northumberland, NE24 5TG T:01670 354 157 F:01670 364 875 E:sales@xtralite.co.uk W:www.xtralite.co.uk							DRG No.	XT-X1-A-0302-ISL