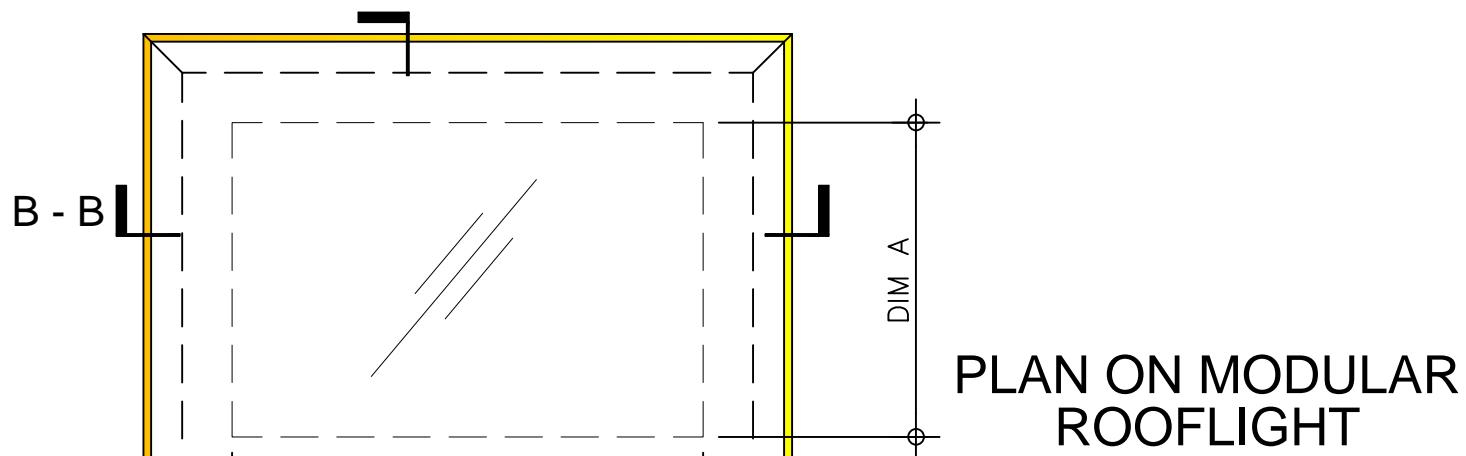


Kerb Specification:
 X2 kerb constructed from self finish white uPVC

Typical Glazing Specification:
 Outer - 6mm thick clear toughened glass
 Core - 16mm thick air filled cavity
 Inner - 6.4mm thick clear laminated low 'E' glass

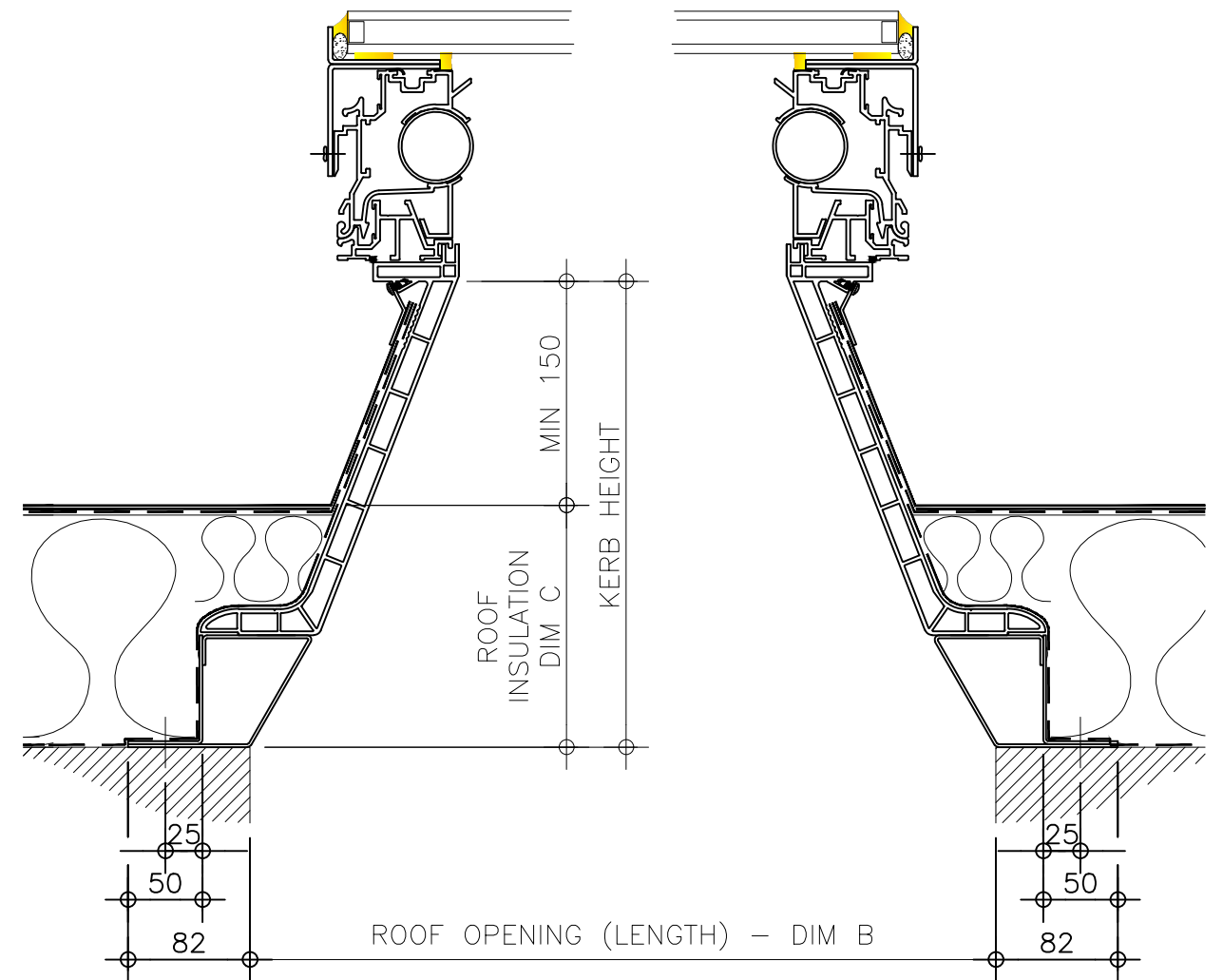
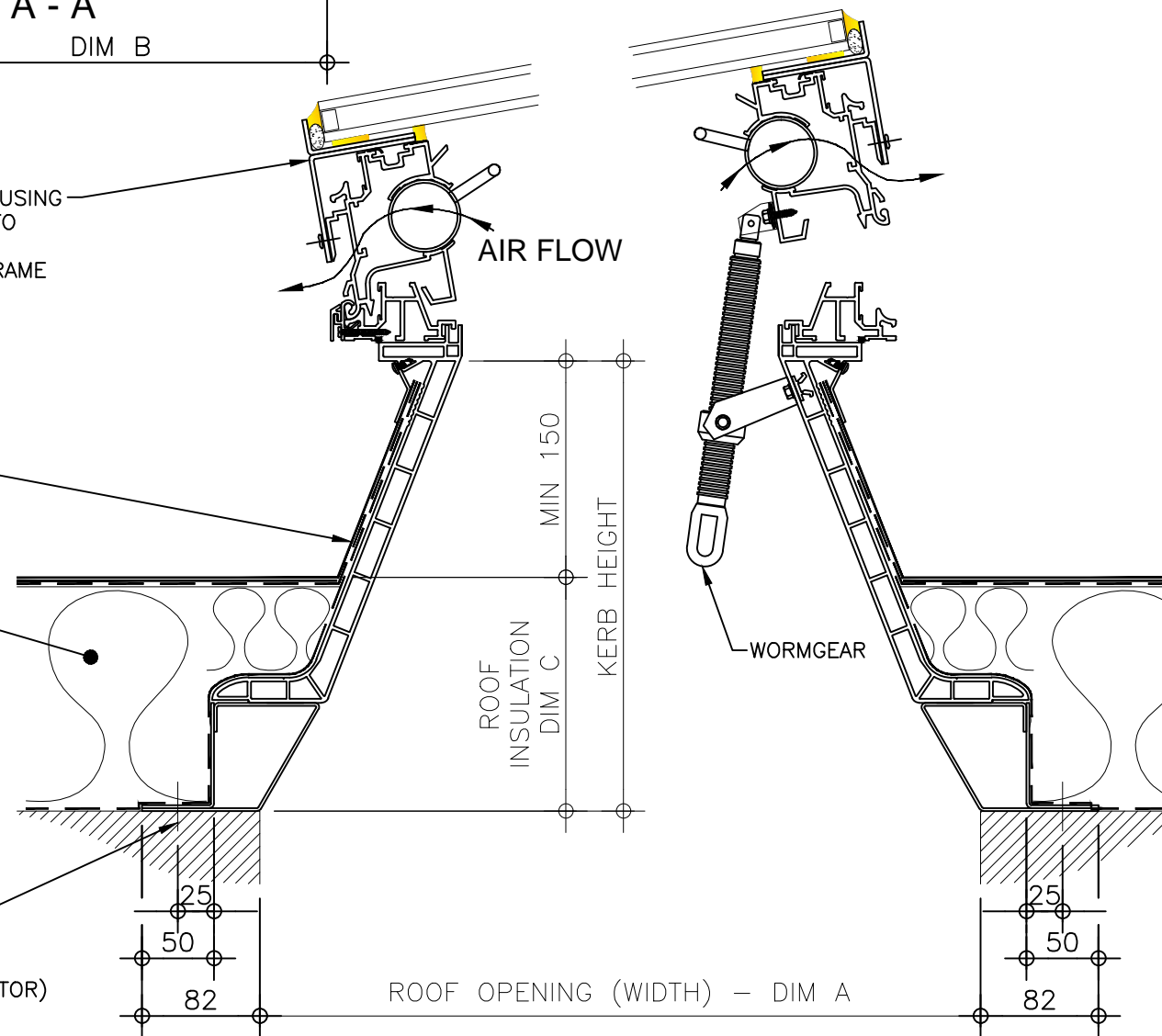


ALUMINIUM TEE SECTION USING BACK TO BACK ANGLES TO FULL PERIMETER, GLASS SILICONE SEALED INTO FRAME

ROOF FINISHES DRESSED UP EXTERNAL FACE OF X2 KERB BY OTHERS

ROOF INSULATION BY OTHERS

FIXING POINT (FIXINGS DEPENDANT OF UPSTAND SUBSTRATE, TO BE DETERMINED BY CONTRACTOR)



REV:	DATE:	DESCRIPTION:	DRN BY	DESCRIPTION:
0	23.12.13	New modular drawings released	IW	Rotary & Wormgear ventilated uPVC upstand with flexible base kerb, fixed direct to roof with flat double glazed glass lid.
DRAWN BY:		CREATION DATE:	CHECKED BY:	SCALE(S)
IW		23-Dec-13	DL	1:5 @ A3
				REVISION: 0
Xtralite (Rooflights) Limited Spencer Road, Blyth Industrial Estate, Blyth, Northumberland, NE24 5TG T:01670 354 157 F:01670 364 875 E:sales@xtralite.co.uk W:www.xtralite.co.uk				DRG No. XT-X1-A-0302-IGLF

