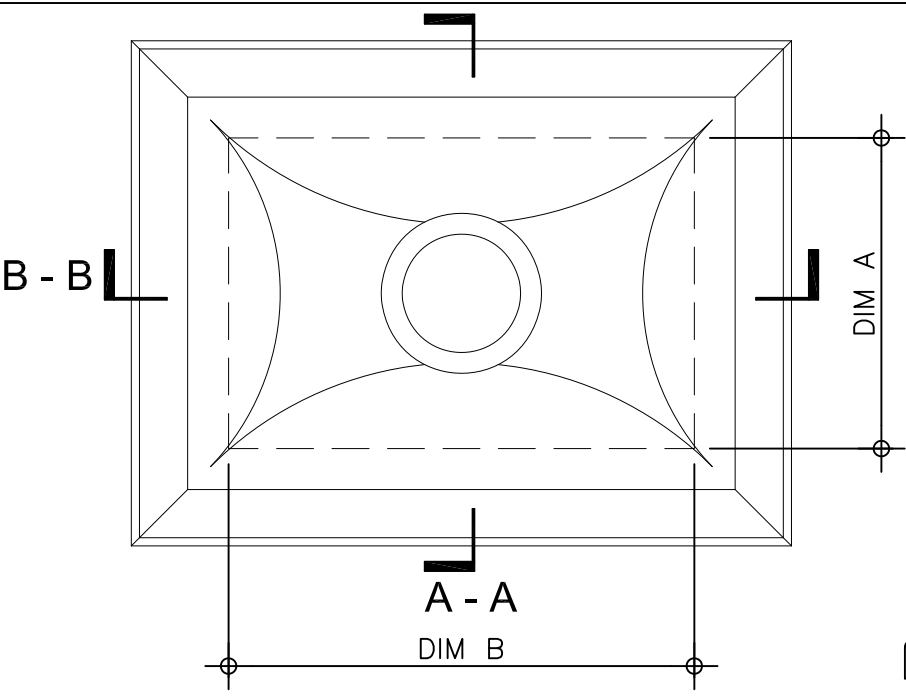


Kerb Specification:
 X2 kerb constructed from self finish white uPVC

Typical Glazing Specification:
 Outer - 3mm thick clear UV protected polycarbonate
 Mid - 2mm thick clear polycarbonate
 Inner - 2mm thick clear polycarbonate



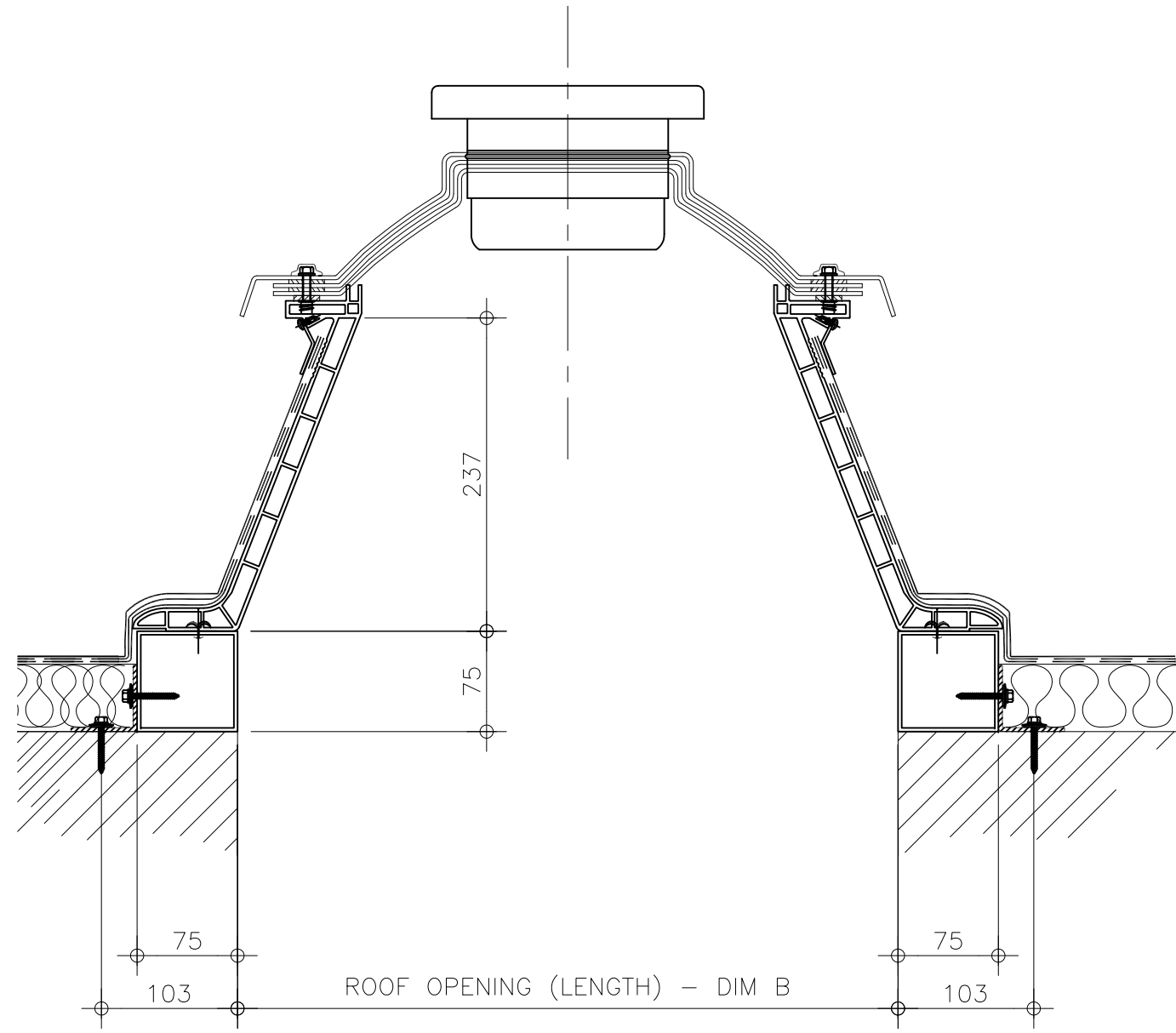
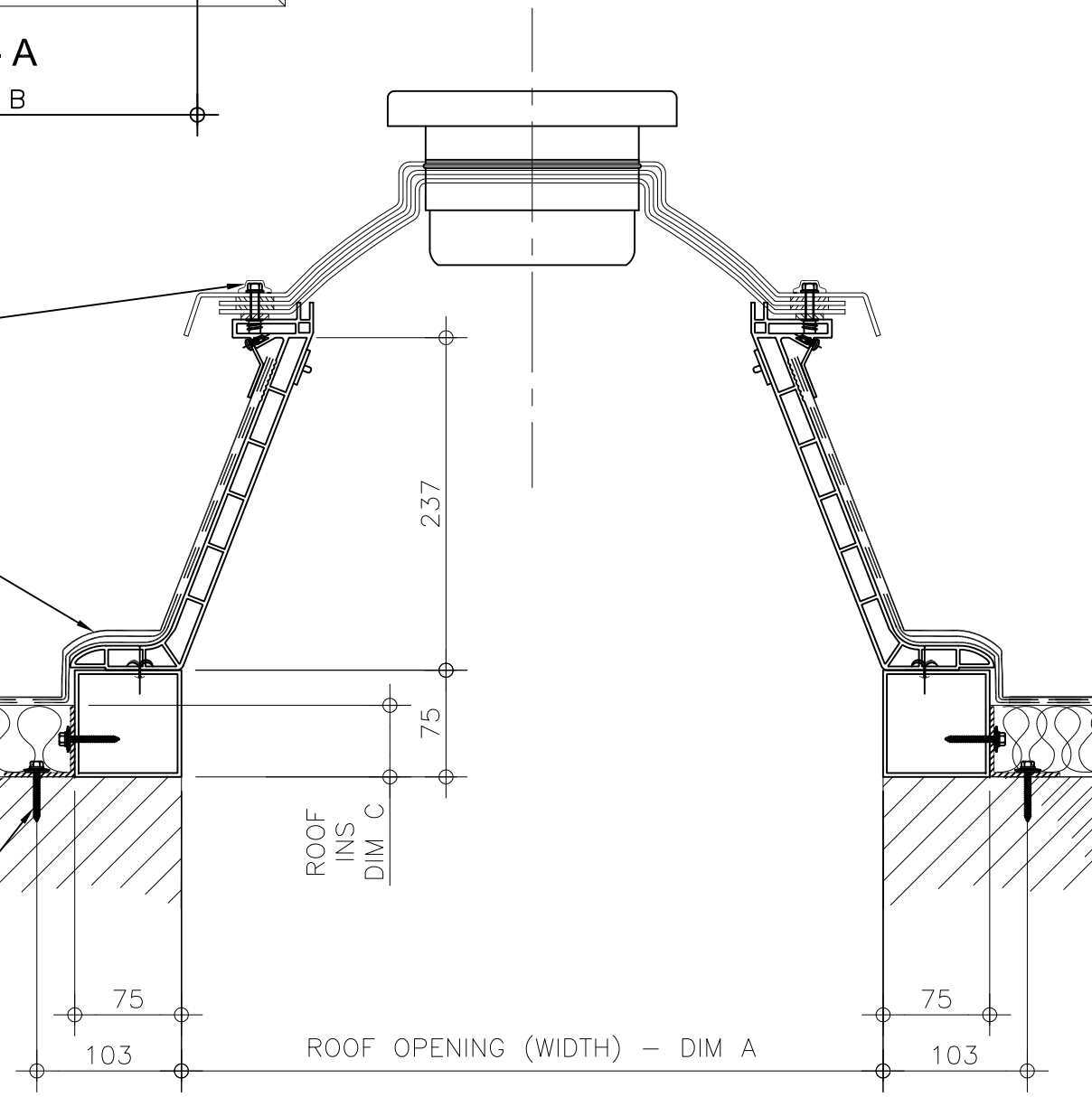
STANDARD SECURITY SCREWS COMPLETE WITH COVER CAPS

ROOF FINISHES DRESSED UP EXTERNAL FACE OF X2 KERB BY OTHERS

ROOF INSULATION BY OTHERS

50 x 50 x 3mm THICK x 100mm LONG ALI ANGLE BRACKETS SUPPLIED LOOSE, FIXED TO KERB AND ROOF DECK ON SITE

FIXING POINT (FIXINGS DEPENDANT OF UPSTAND SUBSTRATE, TO BE DETERMINED BY CONTRACTOR)



REV:	DATE:	DESCRIPTION:	DRN BY	DESCRIPTION:
0	14.02.14	Preliminary drawing issue	DL	X2 kerb with unventilated uPVC upstand, uPVC box section base kerb, fixed direct to roof. Complete with triple skin polycarbonate dome, extract vent and standard security screws.
		DRAWN BY:	CREATION DATE:	CHECKED BY:
		DL	14-Feb-14	
		SCALE(S):		REVISION:
		1:5 @ A3		0
				Xtralite (Rooflights) Limited
				Spencer Road, Blyth Industrial Estate, Blyth, Northumberland, NE24 5TG
				T:01670 354 157 F:01670 364 875 E:sales@xtralite.co.uk W:www.xtralite.co.uk

Xtralite
ROOFLIGHTS

DRG No.
 XT-X2-A-13-SS