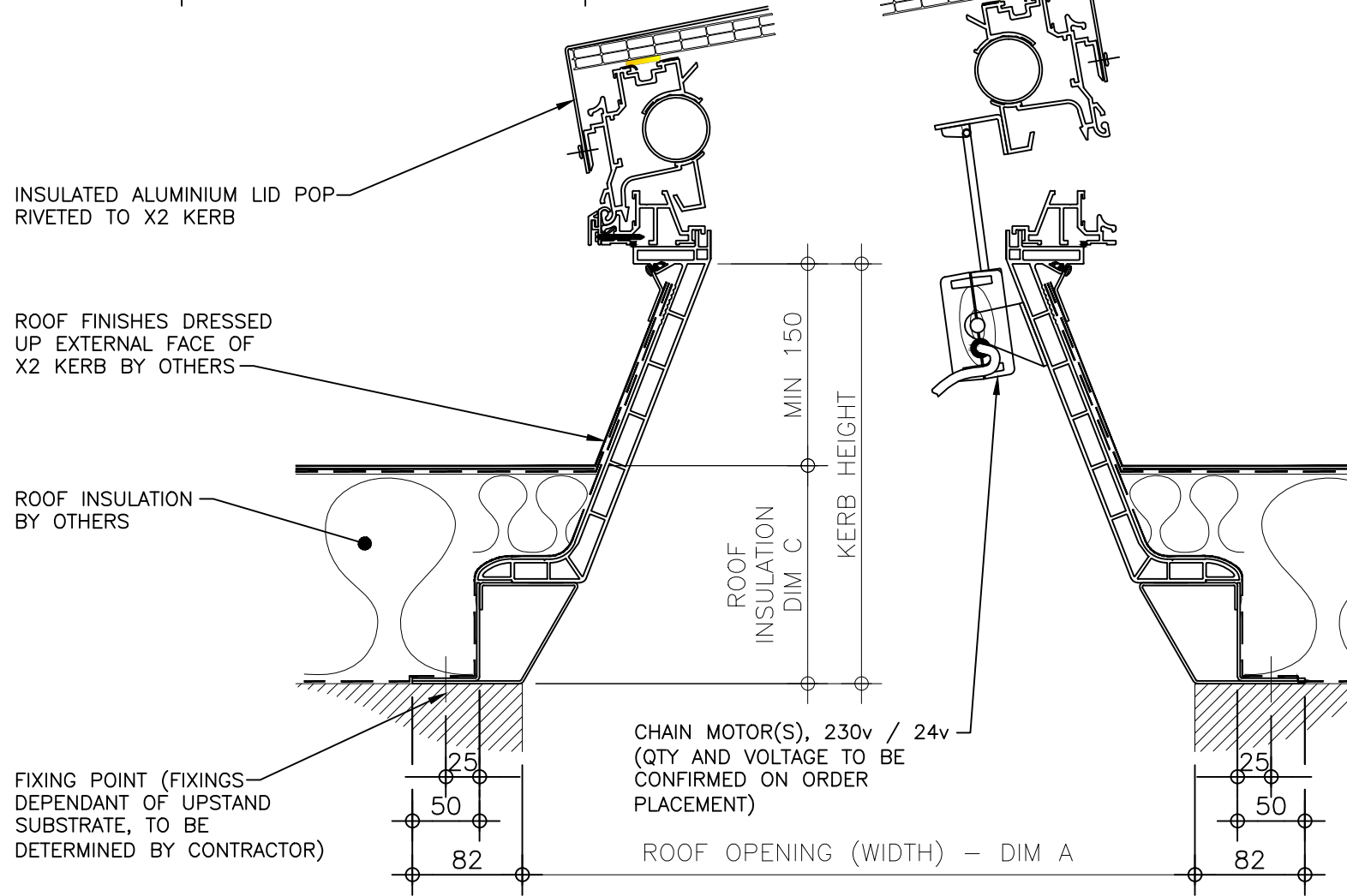
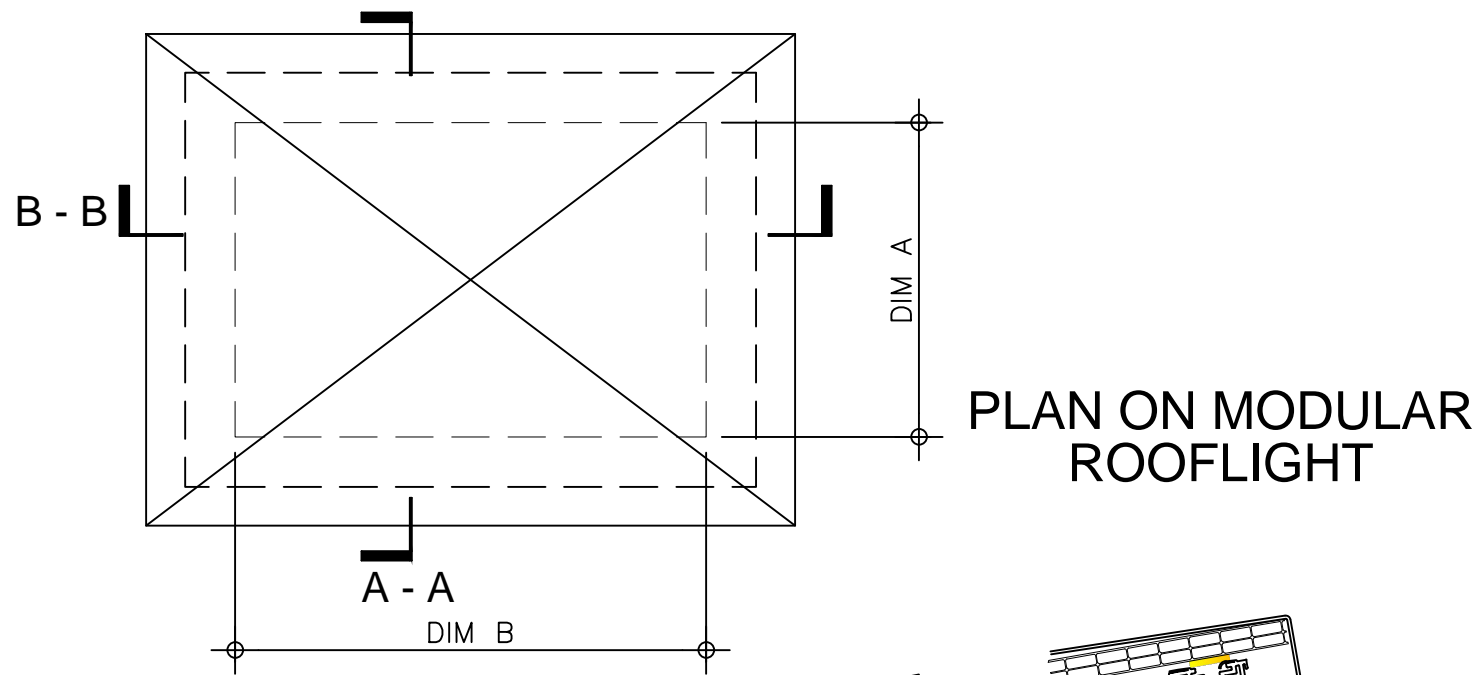
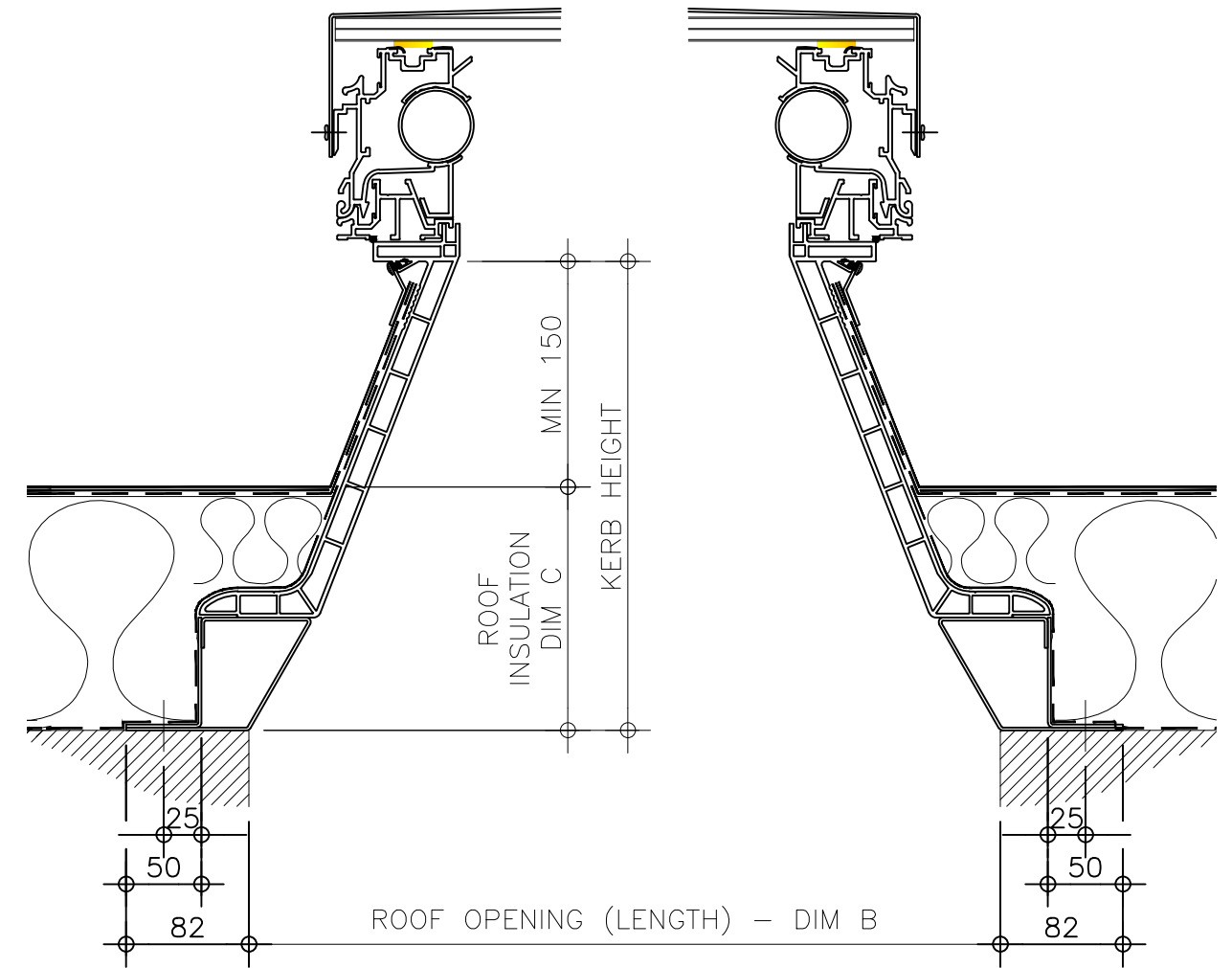


Kerb Specification:  
 X2 kerb constructed from self finish white uPVC


Typical Glazing Specification:  
 2mm thick polyester powder coated aluminium with 16mm structured polycarbonate internal liner



**SECTION A - A**



**SECTION B - B**

REV:	DATE:	DESCRIPTION:	DRN BY	DESCRIPTION:					
0	23.12.13	New modular drawings released	IW	uPVC upstand with flexible base kerb, complete with electrically operated (chain motor) lifting frame, fixed direct to roof with insulated solid lid (aluminium).					
				DRAWN BY:	CREATION DATE:	CHECKED BY:	SCALE(S)		REVISION:
				IW	23-Dec-13	DL	1:5 @ A3	0	
				<b>Xtralite (Rooflights) Limited</b> Spencer Road, Blyth Industrial Estate, Blyth, Northumberland, NE24 5TG T:01670 354 157 F:01670 364 875 E:sales@xtralite.co.uk W:www.xtralite.co.uk				DRG No. <b>XT-X1-A-06-ISL</b>	