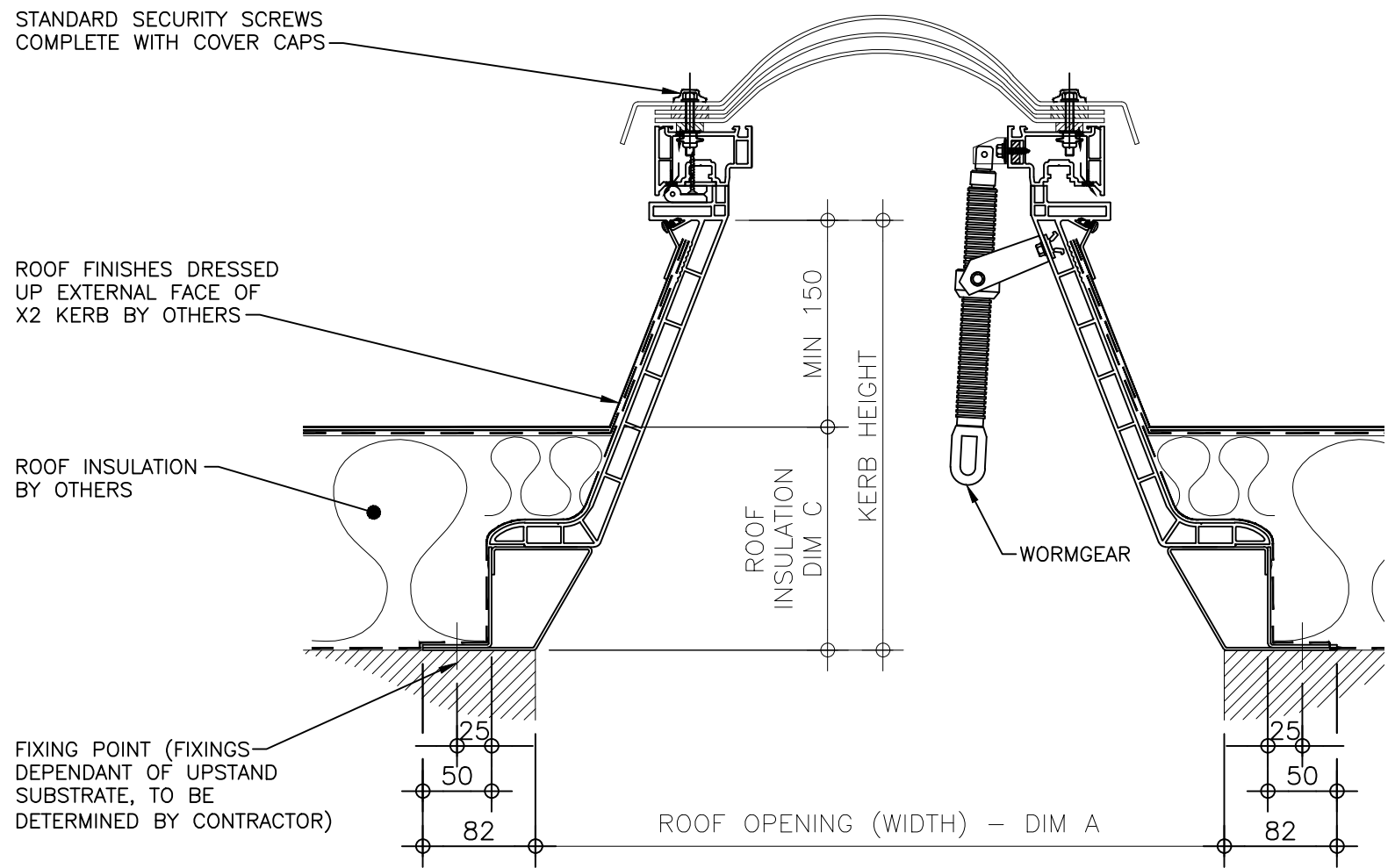
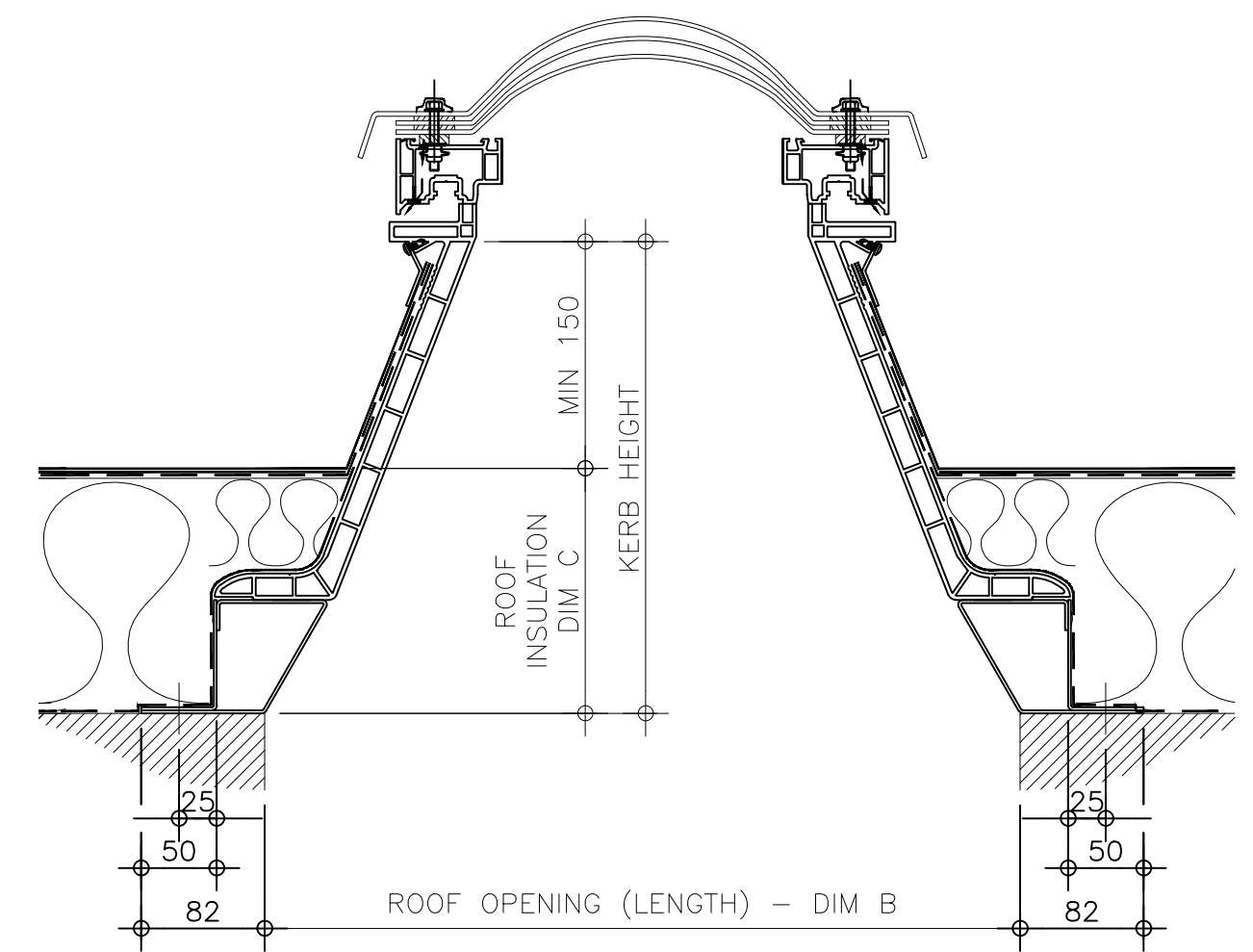


Kerb Specification:  
 X2 kerb constructed from self finish white uPVC

Typical Glazing Specification:  
 Outer - 3mm thick clear UV protected polycarbonate  
 Mid - 2mm thick clear polycarbonate  
 Inner - 3mm thick clear polycarbonate



**SECTION A - A**



**SECTION B - B**

REV: 0	DATE: 23.12.13	DESCRIPTION: New modular drawings released	DRN BY IW	DESCRIPTION: Wormgear ventilated uPVC upstand with flexible base kerb, fixed direct to roof with triple skin polycarbonate dome and standard security screws.					 DRG No. XT-X1-A-03-SS
				DRAWN BY: IW	CREATION DATE: 23-Dec-13	CHECKED BY: DL	SCALE(S) 1:5 @ A3	REVISION: 0	
				<i>Xtralite (Rooflights) Limited</i> Spencer Road, Blyth Industrial Estate, Blyth, Northumberland, NE24 5TG T:01670 354 157 F:01670 364 875 E:sales@xtralite.co.uk W:www.xtralite.co.uk					