

**PLAN ON MODULAR ROOFLIGHT**

**Kerb Specification:**  
 The X-One rooflight kerb is constructed from extruded uPVC sections, white in colour.  
 Metal adapter kerb polyester powder coated:-  
 Colour: White  
 RAL: 9910 Gloss

**Typical Glazing Specification:**  
 Outer - 6mm thick clear toughened glass  
 Core - 16mm thick air filled cavity  
 Inner - 6.4mm thick clear laminated low 'E' glass

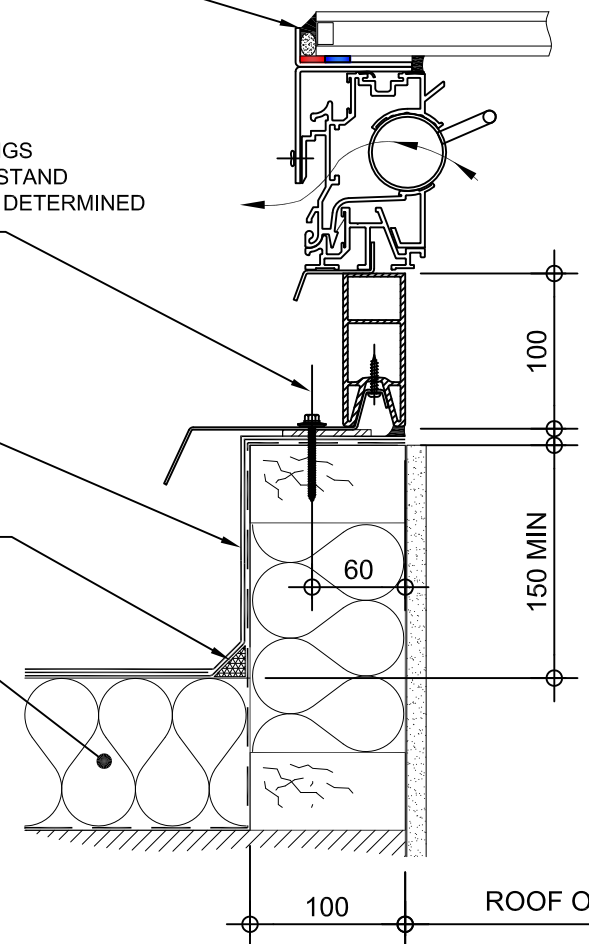
GLASS FULLY SILICONE SEALED INTO 'T' SECTION FRAME

FIXING POINT (FIXINGS DEPENDANT OF UPSTAND SUBSTRATE, TO BE DETERMINED BY CONTRACTOR)

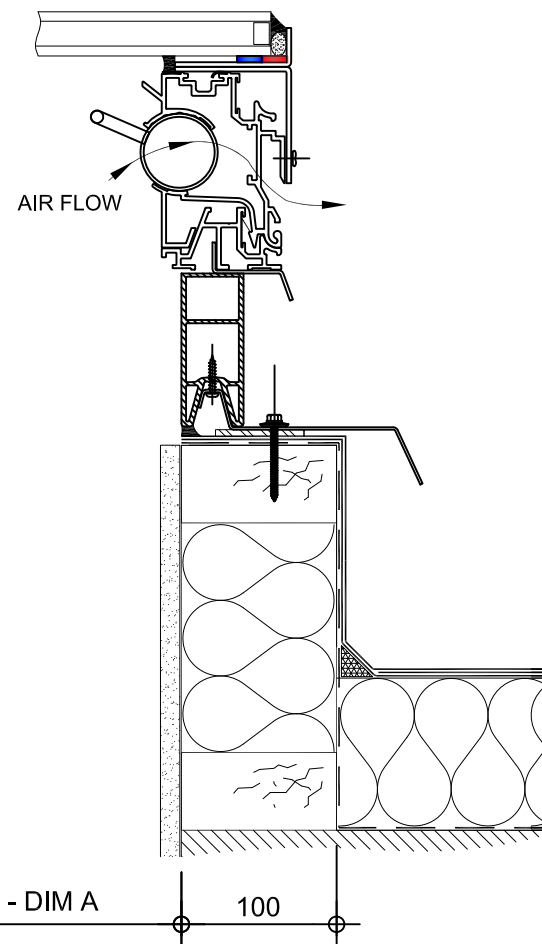
ROOF FINISHES BY OTHERS

FILLET BY OTHERS

ROOF INSULATION BY OTHERS



**SECTION A - A**



**SECTION B - B**

AIR FLOW

'C' SEAL TO UPSTAND

ROOF OPENING (WIDTH) - DIM A

ROOF OPENING (LENGTH) - DIM B

REV:	DATE:	DESCRIPTION:	DRN BY:	DESCRIPTION:				
0	19.12.13	New X-One D drawings released	DL	100mm high uPVC X-One adaptor kerb upstand with hit & miss ventilation and double glazed flat glass top.				
DRAWN BY:		CREATION DATE:		CHECKED BY:		SCALE(S)		REVISION:
DL		19-Dec-13				1:5 @ A3		0
<b>Xtralite (Rooflights) Limited</b> Spencer Road, Blyth Industrial Estate, Blyth, Northumberland, NE24 5TG T:01670 354 157 F:01670 364 875 E:sales@xtralite.co.uk W:www.xtralite.co.uk								DRG No. <b>XT-X1-D-02-IGLF</b>

