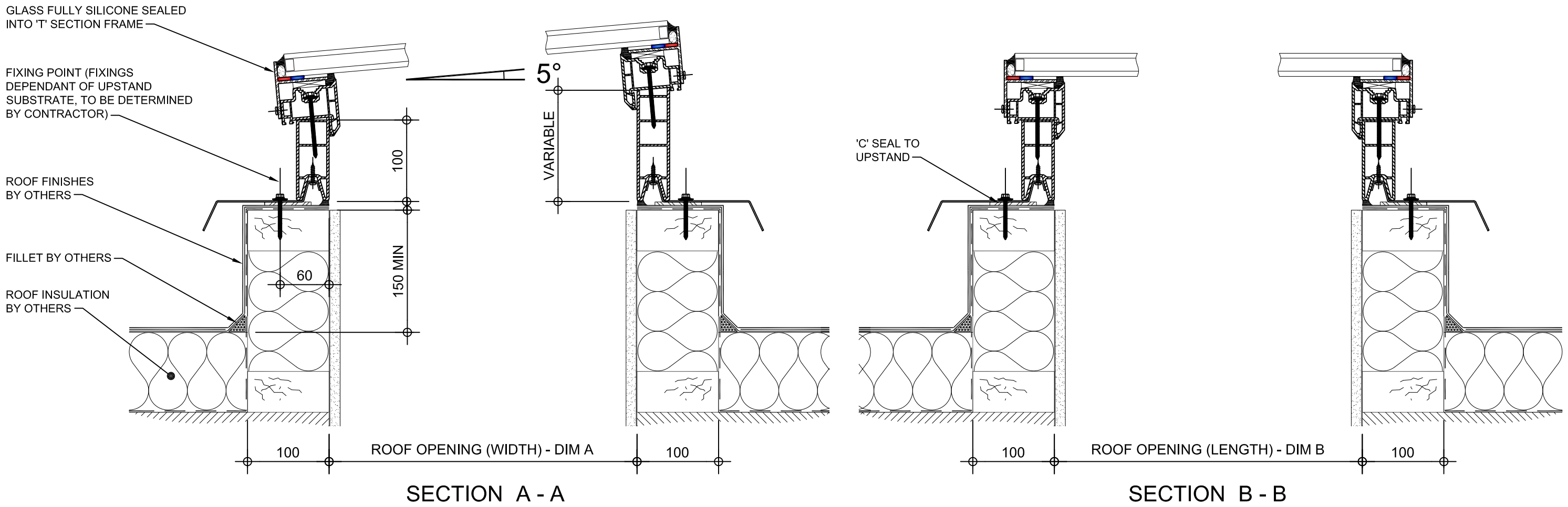


**Kerb Specification:**  
 The X-One rooflight kerb is constructed from extruded uPVC sections, white in colour.  
 Metal adapter kerb polyester powder coated:-  
 Colour: White  
 RAL: 9910 Gloss

**Typical Glazing Specification:**  
 Outer - 6mm thick clear toughened glass  
 Core - 16mm thick air filled cavity  
 Inner - 6.4mm thick clear laminated low 'E' glass



REV:	DATE:	DESCRIPTION:	DRN BY:	DESCRIPTION:
0	19.12.13	New X-One D drawings released	DL	100mm high uPVC X-One adaptor kerb upstand, Unventilated with double glazed pitched glass top.
DRAWN BY:		CREATION DATE:	CHECKED BY:	SCALE(S)
DL		19-Dec-13		1:5 @ A3
REVISION:				0
<b>Xtralite (Rooflights) Limited</b> Spencer Road, Blyth Industrial Estate, Blyth, Northumberland, NE24 5TG T:01670 354 157 F:01670 364 875 E:sales@xtralite.co.uk W:www.xtralite.co.uk				DRG No. <b>XT-X1-D-00-IGLP</b>

