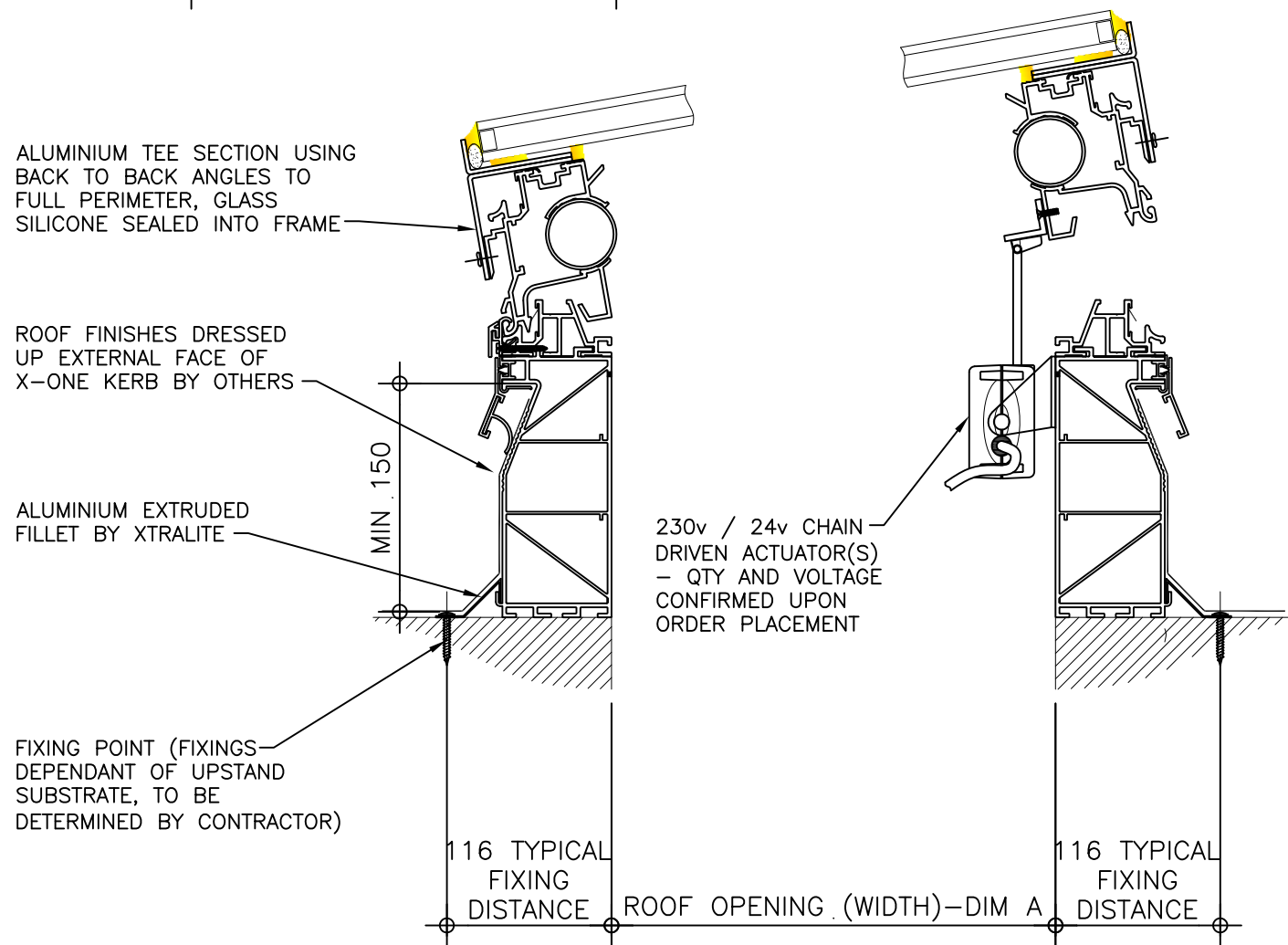
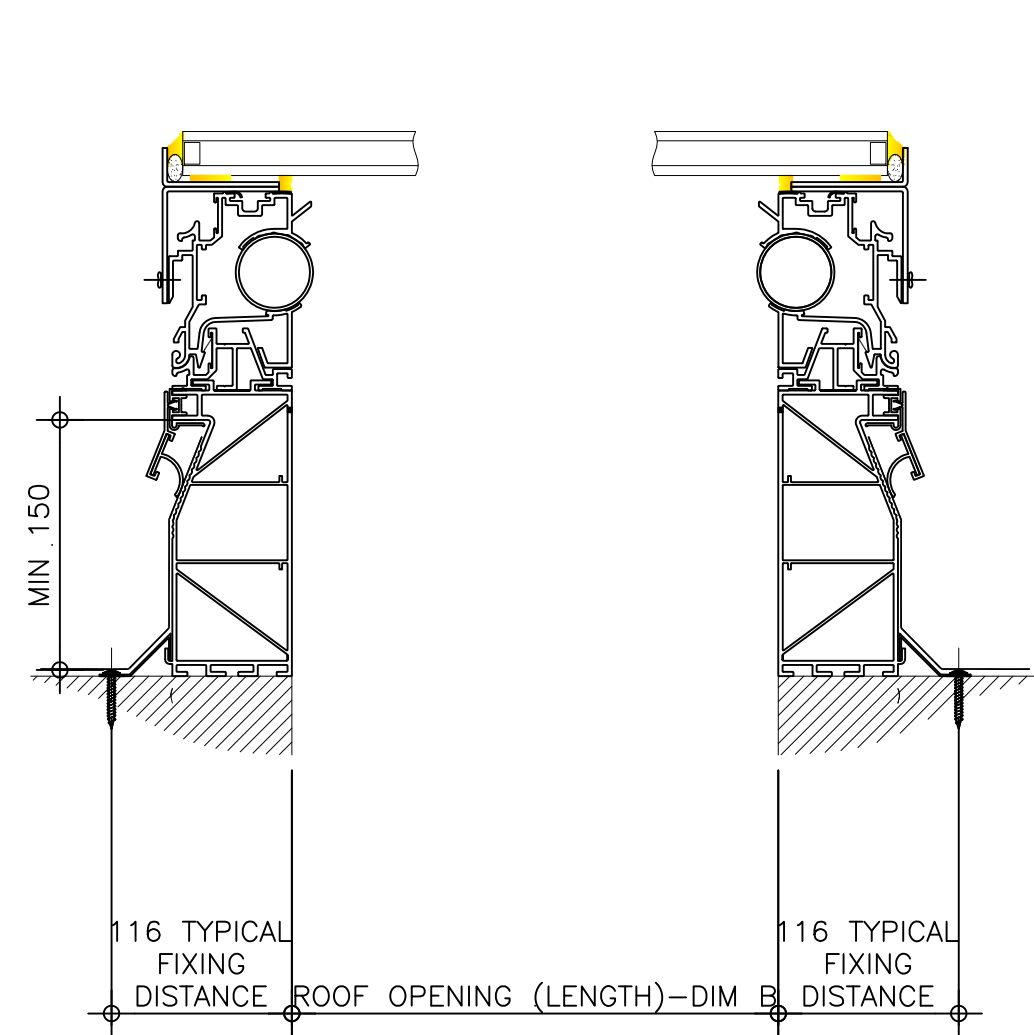


**Kerb Specification:**  
 The X-One rooflight kerb is constructed from extruded uPVC sections, white in colour

**Typical Glazing Specification:**  
 Outer - 6mm thick clear toughened glass  
 Core - 16mm thick air filled cavity  
 Inner - 6.4mm thick clear laminated low 'E' glass



**SECTION A - A**



**SECTION B - B**

REV:	DATE:	DESCRIPTION:	DRN BY	DESCRIPTION:
1	18.12.13	All X-One-C drawings revised	DL	Linear Motor ventilated uPVC upstand fixed direct to insulated roof with flat double glazed glass lid. Vent actuated via chain driven actuator(s) - quantity and voltage to be confirmed on order placement.
0	22.03.12	Issued for approval / comments	IW	
				DRAWN BY: IW
				CREATION DATE: 18-Dec-13
				CHECKED BY: DL
				SCALE(S): 1:5 @ A3
				REVISION: 1
				<b>Xtralite (Rooflights) Limited</b>
				Spencer Road, Blyth Industrial Estate, Blyth, Northumberland, NE24 5TG
				T:01670 354 157 F:01670 364 875 E:sales@xtralite.co.uk W:www.xtralite.co.uk
				DRG No. XT-X1-C-06-IGLF

