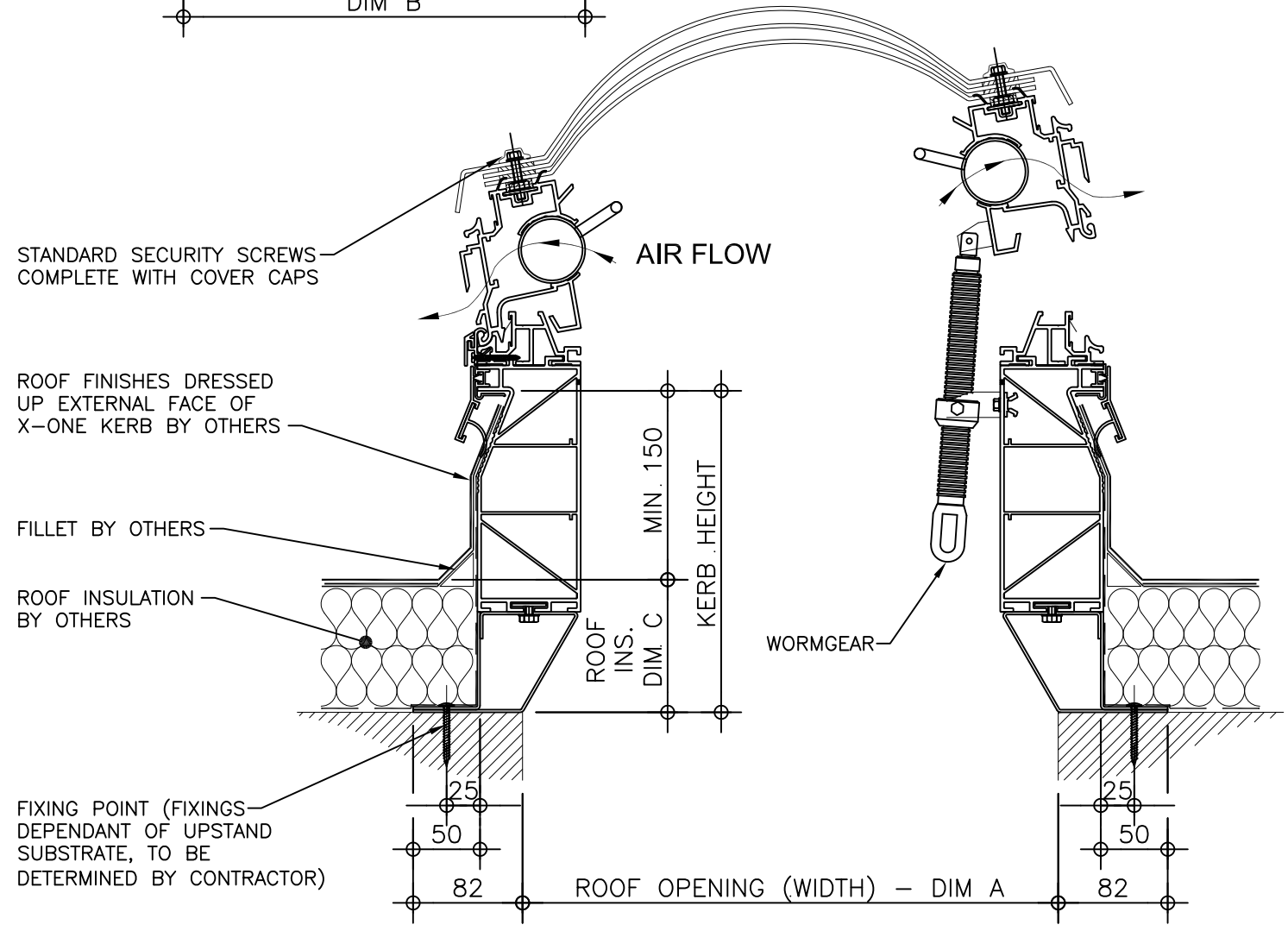


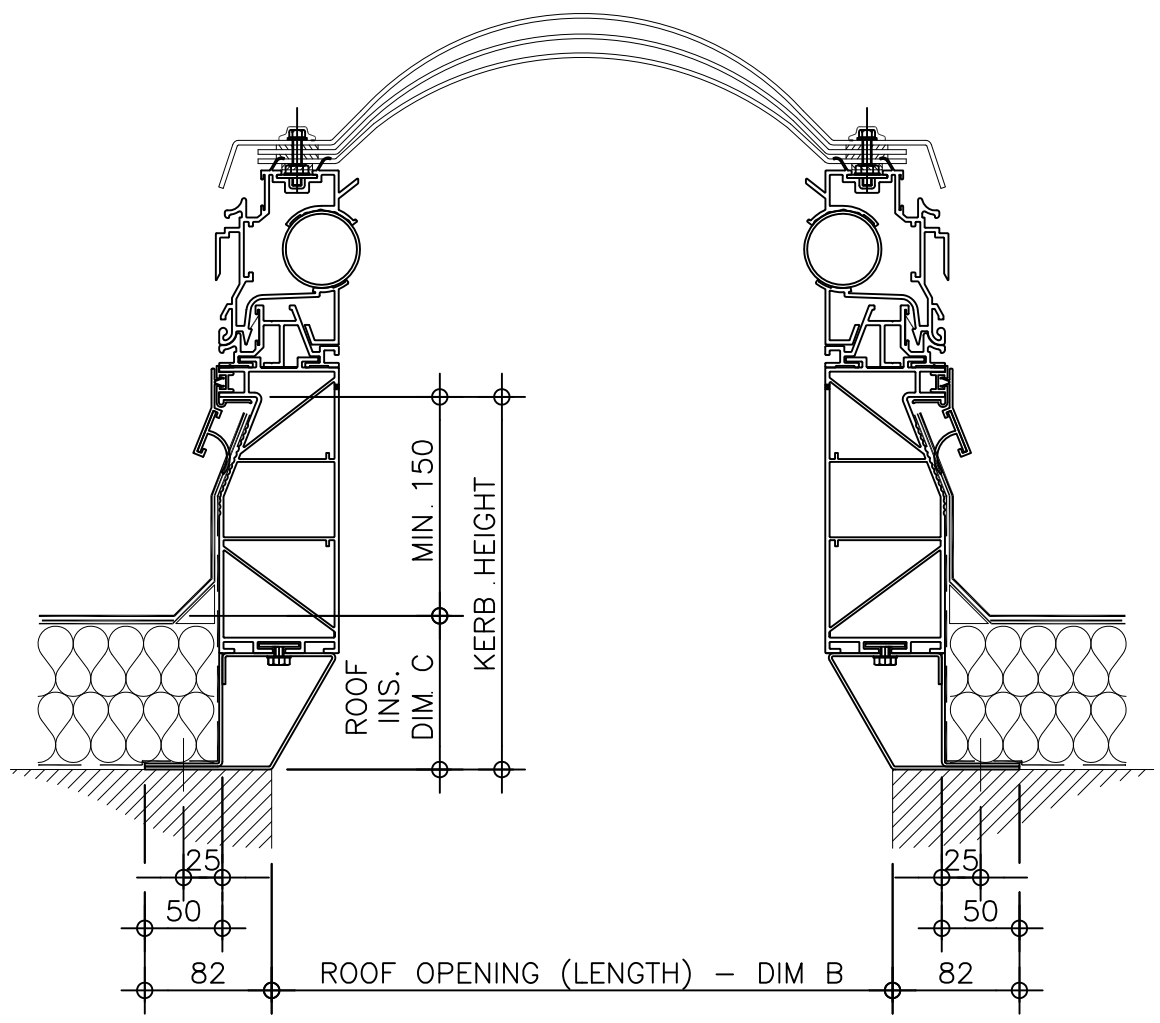
**PLAN ON MODULAR ROOFLIGHT**

**Kerb Specification:**  
 The X-One rooflight kerb is constructed from extruded uPVC sections, white in colour.  
 Metal foot polyester powder coated:-  
 Colour: White  
 RAL: 9910 Gloss

**Typical Glazing Specification:**  
 Outer - 3mm thick clear UV protected polycarbonate  
 Mid - 2mm thick clear polycarbonate  
 Inner - 3mm thick clear polycarbonate



**SECTION A - A**



**SECTION B - B**

| REV: | DATE:    | DESCRIPTION:                   | DRN BY |
|------|----------|--------------------------------|--------|
| 1    | 18.12.13 | All X-One-A drawings revised   | DL     |
| 0    | 22.03.12 | Issued for approval / comments | IW     |

|                                                                                                                                                                                               |                |             |          |           |
|-----------------------------------------------------------------------------------------------------------------------------------------------------------------------------------------------|----------------|-------------|----------|-----------|
| DESCRIPTION:<br>Rotary & Wormgear ventilated uPVC upstand with flexible base kerb, fixed direct to roof with triple skin polycarbonate dome and standard security screws.                     |                |             |          |           |
| DRAWN BY:                                                                                                                                                                                     | CREATION DATE: | CHECKED BY: | SCALE(S) | REVISION: |
| IW                                                                                                                                                                                            | 18-Dec-13      | DL          | 1:5 @ A3 | 1         |
| <b>Xtralite (Rooflights) Limited</b><br>Spencer Road, Blyth Industrial Estate, Blyth, Northumberland, NE24 5TG<br>T:01670 354 157 F:01670 364 875 E:sales@xtralite.co.uk W:www.xtralite.co.uk |                |             |          |           |

**Xtralite**  
ROOFLIGHTS

DRG No.  
**XT-X1-A-0302-SS**