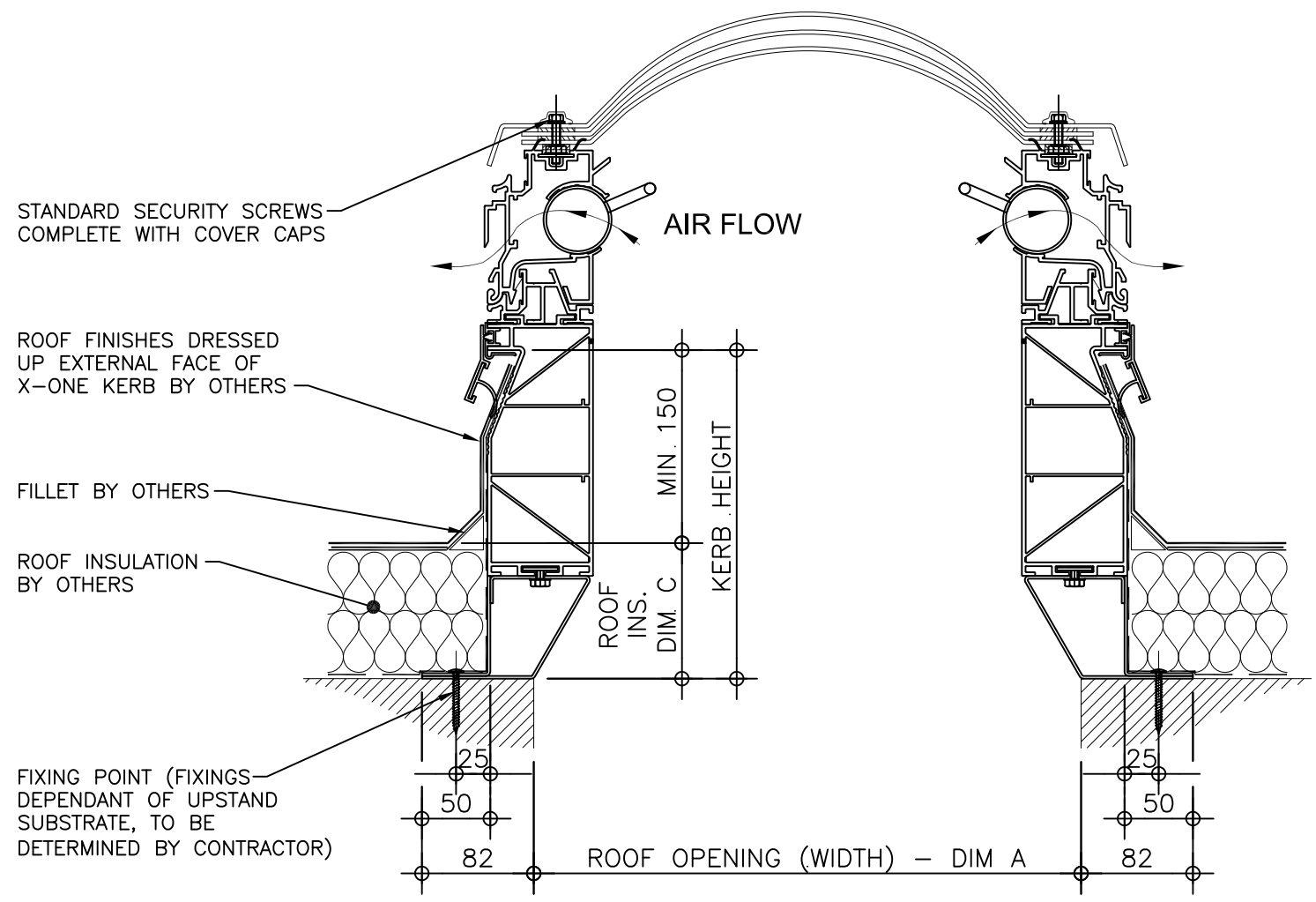
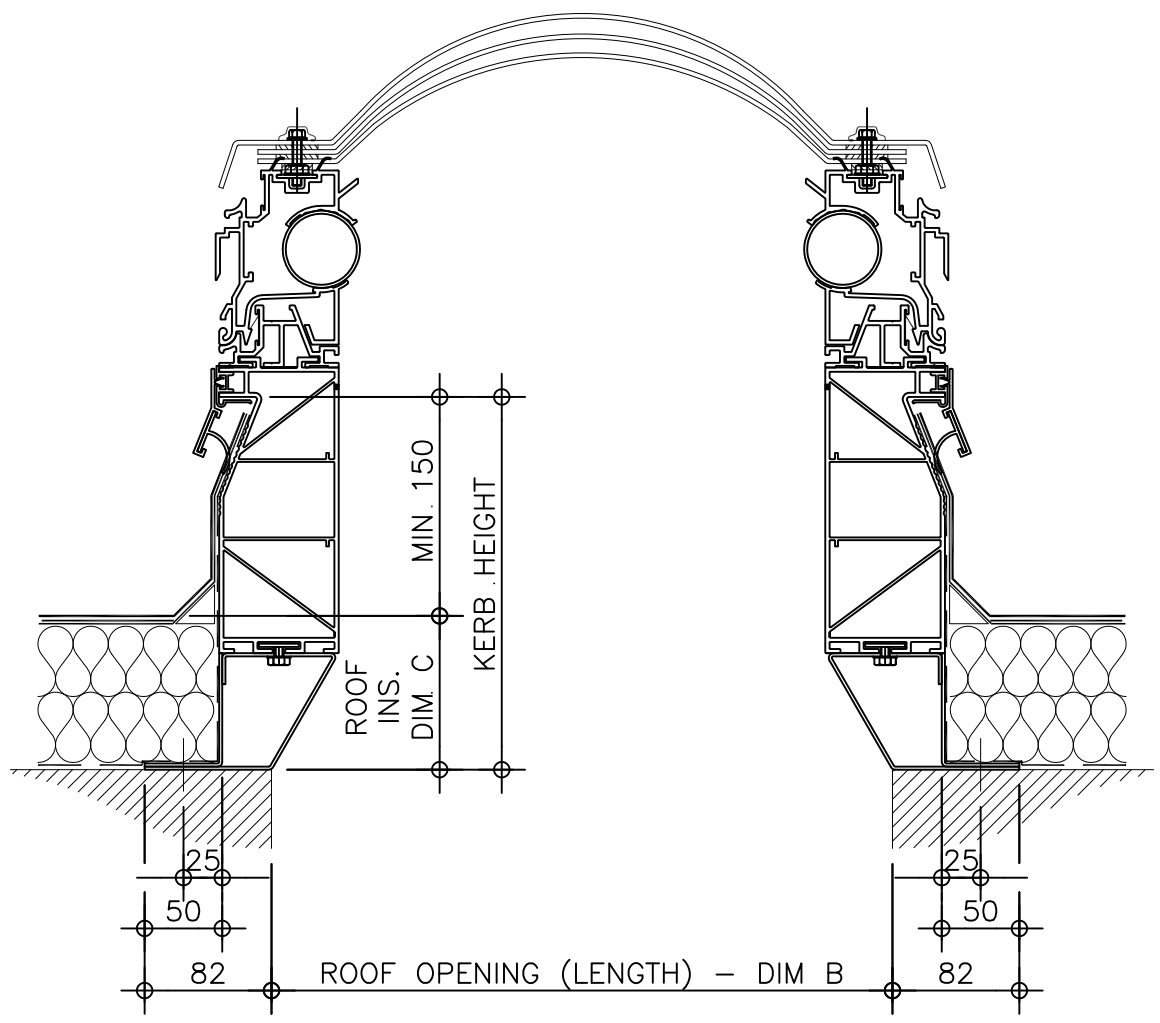


**Kerb Specification:**  
 The X-One rooflight kerb is constructed from extruded uPVC sections, white in colour.  
 Metal foot polyester powder coated:-  
 Colour: White  
 RAL: 9910 Gloss

**Typical Glazing Specification:**  
 Outer - 3mm thick clear UV protected polycarbonate  
 Mid - 2mm thick clear polycarbonate  
 Inner - 3mm thick clear polycarbonate



**SECTION A - A**



**SECTION B - B**

REV:	DATE:	DESCRIPTION:	DRN BY	DESCRIPTION:
1	18.12.13	All X-One-A drawings revised	DL	Rotary ventilated uPVC upstand with flexible base kerb, fixed direct to roof with triple skin polycarbonate dome and standard security screws.
0	22.03.12	Issued for approval / comments	IW	
				DRAWN BY: IW
				CREATION DATE: 18-Dec-13
				CHECKED BY: DL
				SCALE(S): 1:5 @ A3
				REVISION: 1
				<b>Xtralite (Rooflights) Limited</b>
				Spencer Road, Blyth Industrial Estate, Blyth, Northumberland, NE24 5TG
				T:01670 354 157 F:01670 364 875 E:sales@xtralite.co.uk W:www.xtralite.co.uk

**Xtralite**  
ROOFLIGHTS

DRG No.  
**XT-X1-A-02-SS**