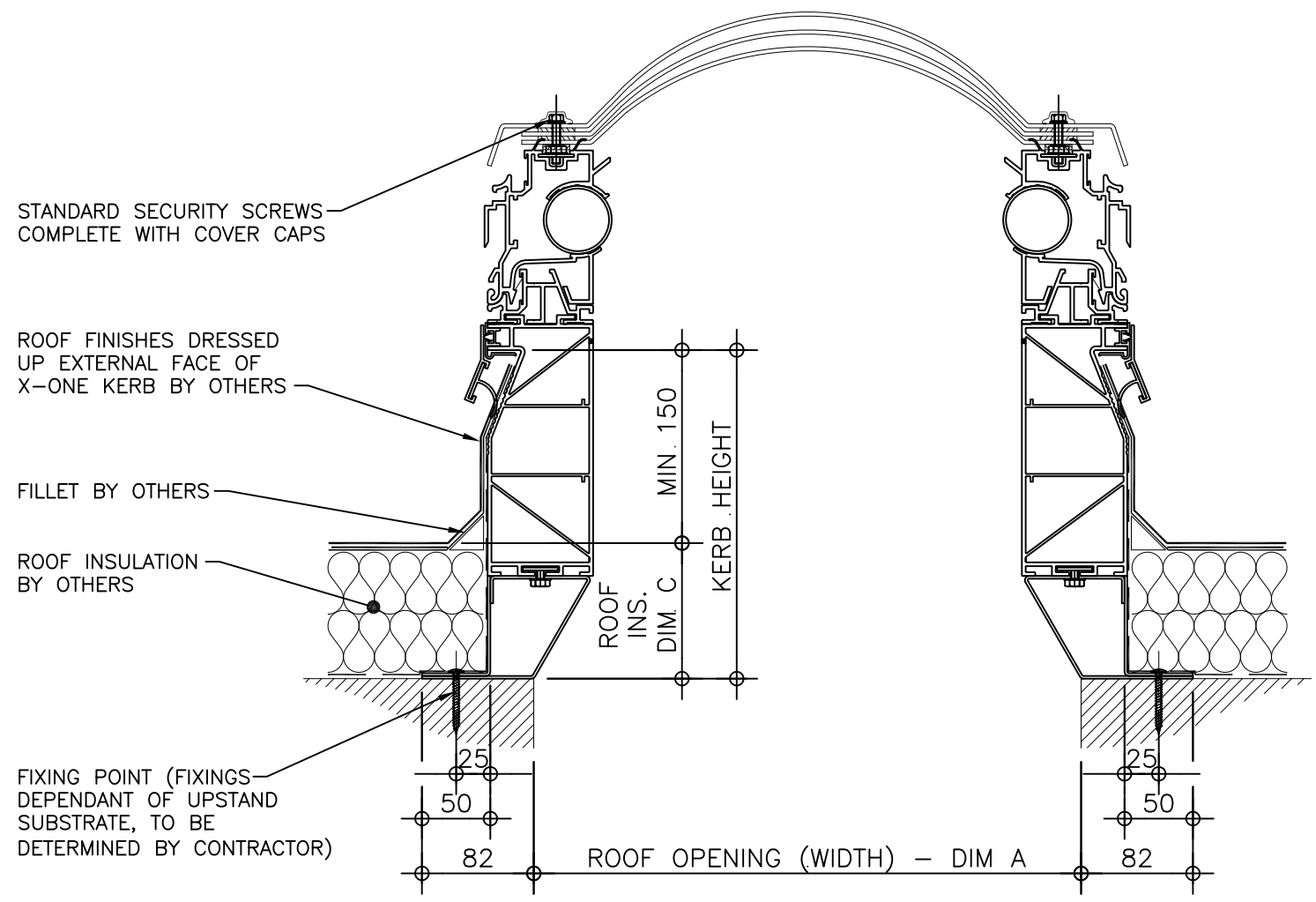
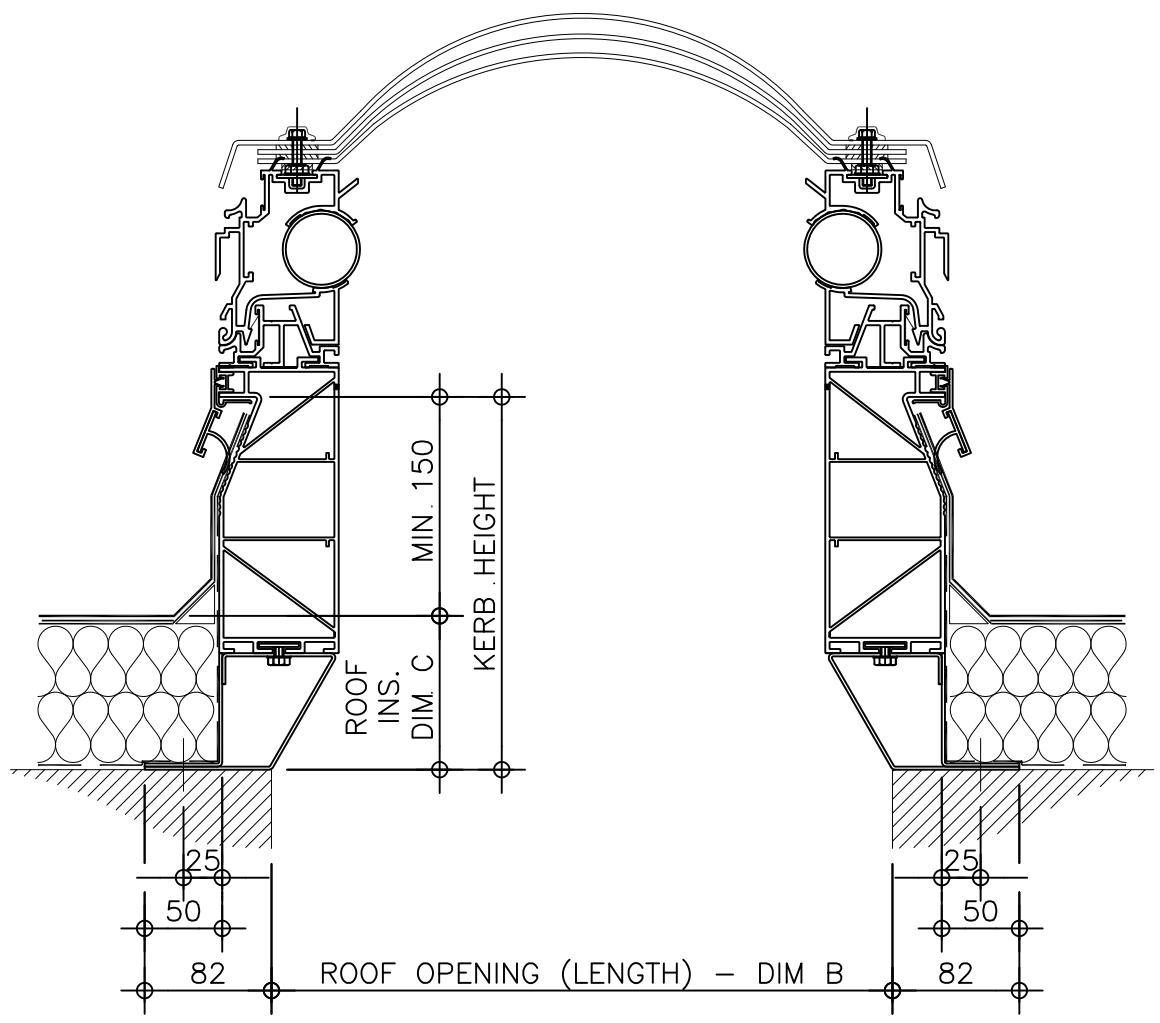


Kerb Specification:
 The X-One rooflight kerb is constructed from extruded uPVC sections, white in colour.
 Metal foot polyester powder coated:-
 Colour: White
 RAL: 9910 Gloss

Typical Glazing Specification:
 Outer - 3mm thick clear UV protected polycarbonate
 Mid - 2mm thick clear polycarbonate
 Inner - 3mm thick clear polycarbonate



SECTION A - A



SECTION B - B

| REV: | DATE: | DESCRIPTION: | DRN BY | DESCRIPTION: | |
|---|----------|--------------------------------|-------------|---|-----------|
| 1 | 18.12.13 | All X-One-A drawings revised | DL | Unventilated uPVC upstand with flexible base kerb, fixed direct to roof with triple skin polycarbonate dome and standard security screws. | |
| 0 | 22.03.12 | Issued for approval / comments | IW | | |
| DRAWN BY: | | CREATION DATE: | CHECKED BY: | SCALE(S) | REVISION: |
| IW | | 18-Dec-13 | DL | 1:5 @ A3 | 1 |
| Xtralite (Rooflights) Limited Spencer Road, Blyth Industrial Estate, Blyth, Northumberland, NE24 5TG T:01670 354 157 F:01670 364 875 E:sales@xtralite.co.uk W:www.xtralite.co.uk | | | | | |

DRG No.
XT-X1-A-00-SS