



Product Portfolio

# Xtralite Access Hatches

a bespoke range of glass and polycarbonate access hatches

# Product Portfolio Rooflights Access Hatches

Xtralite has a range of bespoke access hatches for each of the X-Two, X-Three and X-Five modular rooflight ranges. Hatches use either gas springs or an electric motor to facilitate a 90° opening.

The access hatches are configured to match a range of specifier's requirements including roof attachment and security options:

## Roof attachment

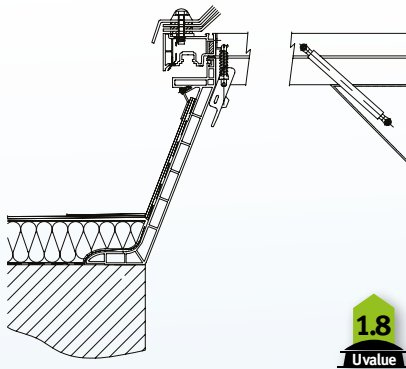
- Flexible metal foot (A)
- Insulated metal foot (B)
- Direct to roof deck (C)
- Adaptor kerb (D)

## Security Options

- Security screws (SS)
- Security frame (SF)
- Intruder Grid (IG)\*

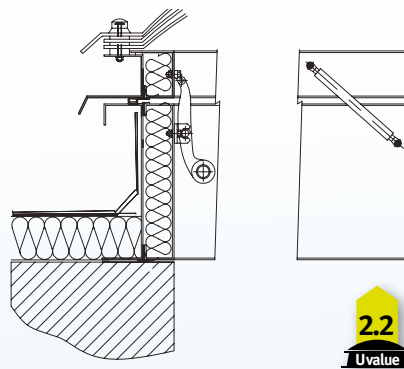
## Fragility and fire standards

All of Xtralite's access hatches meet the required fragility standards; ACR[M]001:2005 'Test For Non-Fragility of Profiled Sheeted Roofing Assemblies', Edition 3—the "Red Book" and fire safety standards in BS 476



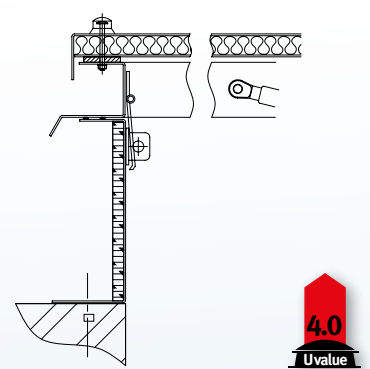
**X-Two**

Meets the requirements of part L with a U value of 1.8, thermoplastic construction 'glazed' with either double glazed glass, triple skinned polycarbonate or solid finish.  
Roof attachment options: A, B, C & D.  
Security options: SS, SF and IG\*.



**X-Three**

Thermally broken metal system with a U Value of 2.2, 'glazed' with either double glazed glass, triple skinned polycarbonate or solid finish. Metal frames and kerbs are white as standard, coloured on request.  
Roof attachment options: C & D.  
Security options: SS, SF and IG\*.



**X-Five**

A metal system for unheated areas, single 'glazed' as standard with either glass, polycarbonate or a solid finish.  
Roof attachment options: C & D.  
Security options: SS, SF and IG\*.

## Guide Sizes (mm)

Square	Rectangular		
800 x 800	600 x 1200	750 x 1350	900 x 1200
850 x 850	600 x 1500	800 x 1100	900 x 1350
900 x 900	700 x 1300	800 x 1400	900 x 1500
950 x 950	750 x 900	850 x 1000	900 x 1800**
1000 x 1000	750 x 1200	850 x 1300	1000 x 1300

Hinges are positioned on longest side. Larger units can be produced as specials—please contact us to discuss.

\*Note, intruder grids will need to be hinged and lockable. \*\*Note, the weight of the hatch based on size and material will affect the operating system required to open it. Please contact Xtralite for further details and consider local health and safety regulations.



**XTRALITE (Rooflights) Limited**  
Spencer Road  
Blyth Riverside Business Park  
Blyth, Northumberland  
NE24 5TG

**Tel:** +44 (0)1670 354157  
**Fax:** +44 (0)1670 364875  
**E-mail:** sales@xtralite.co.uk  
**Website:** www.xtralite.co.uk

